

D4626

Silver Streak

MFG: WISDOM
NAME: KIDDIE HIMALAYA
Type: Kiddie

KIDDIE HIMALAYA

WISDOM INDUSTRIES, LTD.
P.O. BOX 5000
STERLING, CO. 80751
303-522-7515
800-634-6097

TABLE OF CONTENTS

Page 1.....	Specifications
Page 2.....	Set up Instructions
Page 6.....	Operating Instructions
Page 8.....	Warning before Starting Ride
Page 9.....	Daily Check List
Page 10.....	Emergency Procedures
Page 11.....	Lubrication Schedule
Page 12.....	Lubrication Diagram
Page 13.....	Checklist Diagram
Page 14.....	Safety Requirements
Page 16.....	Operator Responsibilities
Page 18.....	Operator Selection & Instruction
Page 20.....	Operator Instructions
Page 21.....	Replacement of Bolts
Page 24.....	Pneumatic Tires
Page 25.....	Tire Safety
Page 28.....	Layout Diagram
Page 29.....	Fastening Detail Diagram
Page 30.....	Inspection & Maintenance Recommendations
Page 31.....	Parts List

KIDDIE HIMALAYA

This "Operation Manual" has been written for the benefit of the ride operator and owner. **WISDOM INDUSTRIES LTD. advise all ride operators and owner to read this manual before operation.**

INTENDED USE

The equipment herein described is intended to be used by a commercial operator to provide a service to the buyer's customers. As a commercial operator, the buyer agrees to operate and maintain the equipment for its intended use in a professional and competent manner as per Wisdom Industries, Ltd. recommendations and instructions, industry and governmental standards, and good commercial practices, using professional and competent mechanics and operators. If at any time, and for any reason the equipment cannot be adequately and safely operated for its intended use, the buyer agrees not to operate the equipment until proper repairs or corrections are made.

SPECIFICATIONS

- CAPACITY. 48 children (3 children per car)
16 adults - 16 children**
- LOADING. 3 children per car
1 adult + 1 child per car**
- MAX WEIGHT PER CAR...270 LBS.**
- ROTATION. 11.4 RPM**
- SET UP AREA. 32' wide X 29' deep X 10' high**
- MOTOR POWER. 2-5HP 3 PHASE DRIVE MOTORS**
- ELECTRICAL. 18 KW 50 AMP/220 VOLT 3 PHASE**
- LIGHTING. 156-10 WATT INCANDESCENT
BULBS**

KIDDIE HIMALAYA

SET UP INSTRUCTIONS

STEP 1: Position center drive unit approximately 16'- 0" from walls or obstructions.

NOTE: "Front center" is marked on lower frame work on center drive unit.

STEP 2: Bolt numbered track braces to the base of the drive unit. Use 2 bolts for each track brace to center drive unit connection. 1/2" bolts and locknuts provided.

NOTE: All parts are numbered. Connect the end marked "1" to end of next part marked "1", "2" to "2", etc.

STEP 3: Lay out track sections around center.

STEP 4: Tall hill track sections go to the back of the ride.

STEP 5: Bolt together the two tall hill track sections. Using 1/2" X 2" bolts and locknuts.

STEP 6: Bolt the assembled tall hill track sections to the track braces from the center. Match the numbers on the track braces to the numbers welded on the track sections. Use 1/2 X 3" bolts and locknuts.

STEP 7: Assemble remaining track sections.

NOTE: Start in the center rear and work around both ways.

NOTE: Do not tighten bolts at this time.

STEP 8: After all track sections are bolted together, tighten all bolts.

STEP 9: Bolt lettered support legs in place on platform using 1/2"X2" bolts and locknuts.

STEP 10: Starting with the center rear platform, match the numbers on the platform sections to the numbers welded on the track sections.

STEP 11: Bolt platforms in place through the frame on the platform into track section using 1/2"X3" bolts and locknuts.

STEP 12: Continue until all 5 platform sections are bolted into place.

STEP 13: Tighten all bolts and nuts on the track sections, track braces, platforms and platform support legs.

(OPTIONAL): To reduce the noise of the ride at this time you can weld the top of the track joints together and grind smooth. This will eliminate the click-click as wheels cross joints. (can be done at any time although now would be easiest).

STEP 14: Check clearances to walls, posts, or other obstacles. Check orientation of front of ride to planned entrance of ride.

WARNING: The ride fence must be at least 30" from the side of the passenger car to any obstacle to provide safe clearance for passengers.

STEP 15: When the ride is properly positioned, fasten center drive unit base down using 6-5/8" anchors.

STEP 16: Run the electric cord from the center through the cut out in the track to the control stand. Thread electrical wires from the center through the 'D' rings, welded on track brace to outside of track.

WARNING: Route the wires to be sure the customers will not trip on the wire during operation.

STEP 17: Bolt (16) sweeps to center drive rim with 3/4" bolts and lock nuts provided. Make sure the 'D' ring welded 3 feet from the wheel on each sweep is up.

NOTE: All sweeps are identical.

STEP 18: Install 2 master sweeps. Attach the rod ends on the master sweep to the ears on top of the center drive unit using 2- 5/8"X3" bolts and locknuts.

STEP 19: Slip end of master sweep over sweeps. Bolt loosely under sweep as this end needs to slide.

STEP 20: Repeat for second master sweep.

STEP 21: Set seats in place between the sweeps and secure with 3-3/4" bolts and lock nuts through the rod ends and tighten. (Place grease zerk facing up).

NOTE: The entry notch on the side of the car and seat lock knob goes to the outside of the ride.

STEP 22: If necessary adjust rod ends in or out to set last car in place.

NOTE: (You may have to adjust more than one car).

WARNING: No more than 3/8" of thread must show on each rod end. (This is about the thickness of the jam nut.)

NOTE: If the front rod end on the car frame does not line up with the ears on the sweep, one of the rear rod ends can be adjusted in or out to line the rod end up. Remember no more than 3/8" of threads showing past the jam nut.

STEP 23: Tighten jam nuts.

STEP 24: Tighten all bolts in the rod ends at this time.

STEP 25: Grease all rod ends, center sweep pivot, and sweep wheels.

STEP 26: Place control stand in desired location and connect electrical cords from center. (**Note:** see electrical schematic).

STEP 27: Connect to main power supply in accordance with local codes.

STEP 28: Check clearances to walls and obstructions.

WARNING: Check for tools and cords in center before turning ride on. Make sure no one is in center of ride before turning on the power. Injury or death may result.

- STEP 29: Turn on power.
- STEP 30: Check rotation for correct direction. Operate the ride forward and reverse. Check all noises.
- STEP 31: Turn off power.
- STEP 32: Check that all bolts are tight except the 2 underneath bolts on the master sweeps.
- STEP 33: Spread canvas out over sweeps slick and shiny side up.
- STEP 34: Hook canvas to 3/8" rod in center with 'S' hooks.
- STEP 35: Hook springs to 'D' rings on under side of canvas and to 'D' ring on sweep. **Note:** Make sure center is not twisted.
- STEP 36: Lace up and hook center canvas.
- STEP 37: Place fiberglass sweep covers on sweeps between cars, small end toward center and secure with acorn nuts and washers.
- STEP 38: Turn on power.
- STEP 39: Check operation of the ride and controls.
Perform these check lists before allowing passengers to ride.
"Operation list"
"Daily check list"
"Lubrication Schedule"
Review and check "emergency procedures" list
Review and check "warning before starting ride" list

OPERATING THE KIDDIE HIMALAYA

1. Load passengers
2. Passengers must sit facing forward in the seat with both hands and legs inside the car and with feet on the floor. They must not sit sideways in the seat.
3. Always have larger person sit to outside of ride.
4. Have the larger passenger change position to the outside before starting the ride.
5. Handlebars must be lowered, snug, and locked in the passengers laps before starting ride.

WARNING: Each lap bar MUST be checked by the operator by hand before starting the ride.

6. If a handlebar is opened to allow passengers to switch position, the handlebar must be checked by hand again before starting the ride.

WARNING: Do not use car if the lap bar mechanism is not working properly.

7. Check that the entrance and the exit gates are closed.
8. Be sure ride area and inside fenced area around ride is clear of people before starting ride.

NOTE: No one is allowed to stand inside the fence while the ride operates.

9. Forward: Push forward button to start ride turning. Rotate speed control for desired effect, start slow and increase speed as the ride proceeds.

WARNING: Use constant vigilance while the ride operates.

10. Reverse: release forward button and push reverse button. Ride will automatically slow to stop and start in reverse direction. Rotate speed control for desired effect, start slow and increase speed as the ride proceeds.

WARNING: If passengers try to get out of the cars while reversing direction. Stop the ride until they sit down.

11. Release buttons and wait until ride comes to complete stop.
12. Open exit gate.
13. Raise handlebars and have passengers exit the ride area.
14. Close exit gate.
15. Open entrance gate.
16. Reload the seats and follow instructions above.

WARNING:

If any abnormal noises or movement of passengers occurs, stop the ride until the cause is remedied.

If passengers try to stand. Stop the ride.

If passengers try to trade places. Stop the ride.

If passengers try to turn sideways in the seat. Stop the ride.

WARNING BEFORE STARTING RIDE

1. Do not allow passengers to run on platforms or at any time.
2. Do not allow passengers to throw items while loading, operation of ride, or unloading ride.
3. Do not allow anyone to stand up in seats at any time.
4. Balance the ride as much as possible.
5. Place larger passengers to outside of seat.
6. Instruct all passengers to keep arms and hands inside the seat while ride is in motion.
7. Never play tag or attempt to touch passengers while ride is in motion.
8. Never open entrance gate while ride is turning.
9. Never leave ride unattended.
10. Always look at the ride while running.

KIDDIE HIMALAYA DAILY CHECK LIST

1. Check for loose or missing bolts or nuts.
2. Check handlebars for proper operation.
3. Check handlebars for cracks or excessive wear.
4. Check sweep wheels for loose nuts or missing cotton pins.
5. Check sweep wheels and track for excessive wear.
6. Seat lock latches. Must be checked before each ride that they are securely fastened.
7. Lubrication schedule has been completed.
8. Check center for cracks.
9. Check drive tires.

KIDDIE HIMALAYA EMERGENCY PROCEDURES

PROBLEM:

Unusual noises.

Ride will not stop.

ACTION:

Stop ride (release rotation button).

Release rotation button.

Push red stop button.

Turn off key.

Turn off main electrical-disconnect
at rear of control stand.

Ride will coast to stop in
approximately 1/2 rotation.

Procedure explained.

Let go off rotation button:

Large red palm button:

Turn off key:

Turn off main electrical
disconnect:

This will turn off drive motors.

Cuts off power to drive motor contact or coil.

Cuts off power to drive motor contact or coil.

Shuts off power to ride.

HIMALAYA LUBRICATON SCHEDULE

Passenger Car.

Seat Frame Rod Ends (3 each Car 16 Cars)

Handle bar Pivot Bushing (2 each Car)

Handle bar Lock Pin (1 Each Car)

Sweeps.

Sweep Wheel Bearings (16 Wheels)

Sweep Center Pivot Joint (16 Places)

Sweep Brace Rod Ends (4 Rod Ends Total)

Sweep Brace Slider (Two Sliders)

Ride Center

Main Center Bearing (Two Zerks)

Gear Box Oil (Check Level Daily)

Electric Motor (Two places each motor)

	Oil	Grease	WD-40	Gear box oil	Daily	Weekly	Monthly	Yearly
Seat Frame Rod Ends (3 each Car 16 Cars)		X			X			
Handle bar Pivot Bushing (2 each Car)	X				X			
Handle bar Lock Pin (1 Each Car)	X				X			
Sweep Wheel Bearings (16 Wheels)		X				X		
Sweep Center Pivot Joint (16 Places)		X				X		
Sweep Brace Rod Ends (4 Rod Ends Total)		X			X			
Sweep Brace Slider (Two Sliders)			X		X			
Main Center Bearing (Two Zerks)		X				X		
Gear Box Oil (Check Level Daily)				X	X			
Electric Motor (Two places each motor)		X					X	

TYPES OF LUBRICANTS

Oil

Light machine oil 1-2 drops. Allow to seep into hinge or pivot area.

Grease

Rod ends, use quality grease similar to MYSTIC JT-6. 1-2 shots each.

Main bearings, use quality grease similar to Mystic JT-6. 1-2 shot each zerk turn ride, repeat.

Gear box Oil

Gear box oil is 90 weight gear lubricant

DANGER

Turn off and lock out electric before lubricating ride.

LUBRICATION DIAGRAM

DANGER:

TURN OFF AND LOCK OUT MAIN ELECTRICAL DISCONNECT, BEFORE ENTERING CENTER AREA OF RIDE.
INJURY OR DEATH MAY RESULT

SEAT ROD ENDS

GREASE WEEKLY (ONE SHOT EACH)
3 PLACES EACH CAR
16 CARS

MAIN BEARING

GREASE WEEKLY (2 PLACES)
ACCESS THROUGH LARGE HOLES

PIVOT JOINTS

GREASE WEEKLY (ONE SHOT EACH)
16 PLACES

SWEEP WHEELS

GREASE WEEKLY (ONE SHOT EACH)
16 CARS

GEARBOX

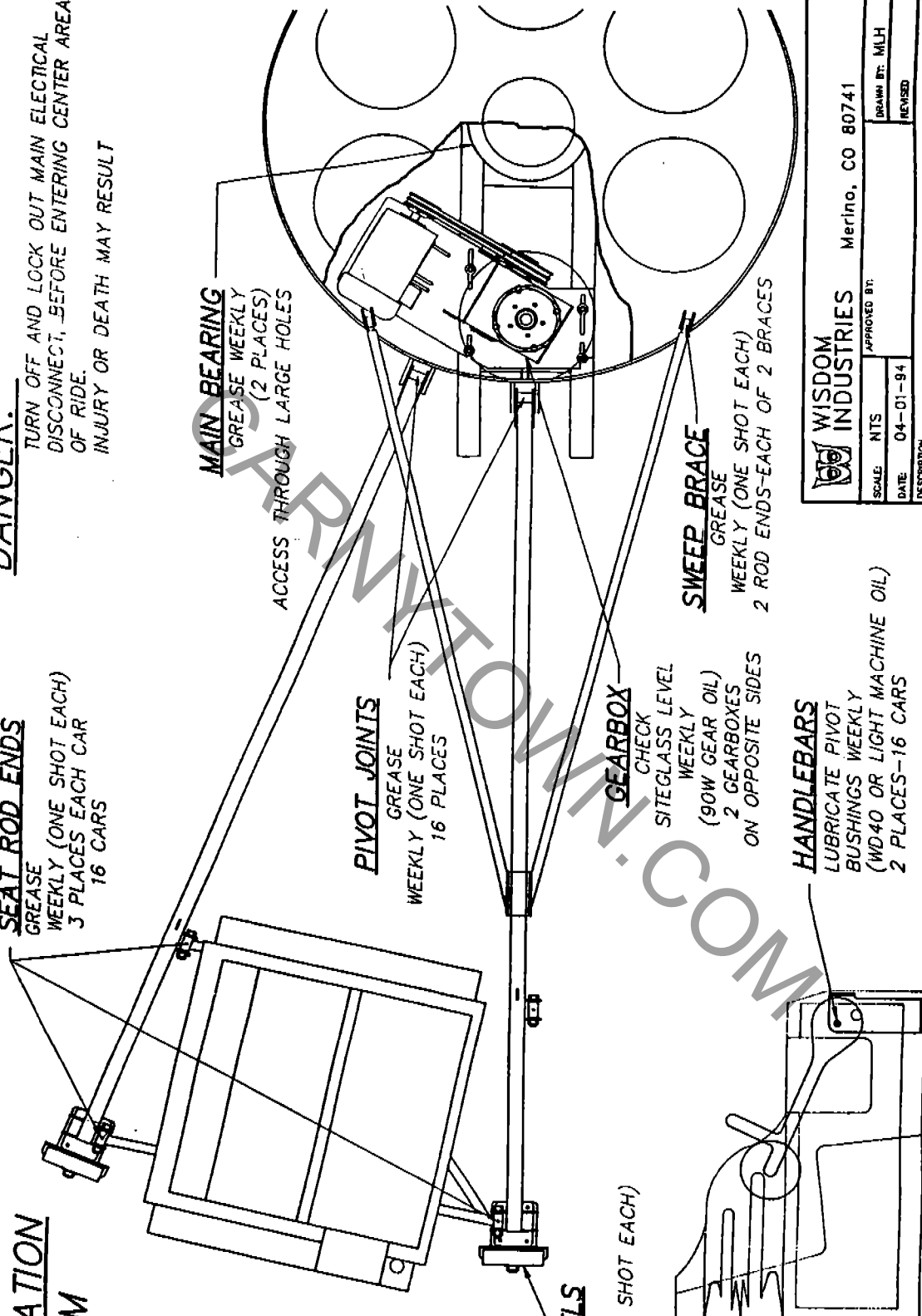
CHECK SITEGLASS LEVEL WEEKLY (90W GEAR OIL)
2 GEARBOXES ON OPPOSITE SIDES

SWEEP BRACE

GREASE WEEKLY (ONE SHOT EACH)
2 ROD ENDS-EACH OF 2 BRACES

HANDLEBARS

LUBRICATE PIVOT BUSHINGS WEEKLY (WD40 OR LIGHT MACHINE OIL)
2 PLACES-16 CARS



WISDOM INDUSTRIES Merino, CO 80741	
SCALE: NTS	APPROVED BY:
DATE: 04-01-94	DRAWN BY: MLH
REVISION	
DESCRIPTION: LUBRICATION DIAGRAM	
EQUIPMENT: KIDDIE-HIMALAYA	DRAWING NUMBER: LUBE

APR 01, 1994 - 14-472-14 - P. 1/2 (WDM/VDK/LUC) >

CHECKLIST DIAGRAM

CENTER CANVAS

DAILY
CHECK FOR CUTS AND TEARS
CHECK LACING AND HOOKS
CHECK TENSION SPRINGS

CENTER LIGHTS

DAILY
BURNED OUT LIGHTBULBS
BROKEN OR MISSING LENSES

UNDER RIDE

DAILY
LOOK FOR NUTS, BOLTS, ETC.
THAT MIGHT INDICATE PROBLEMS
PICK UP AND DISCARD TRASH

ENTRY PLATFORMS

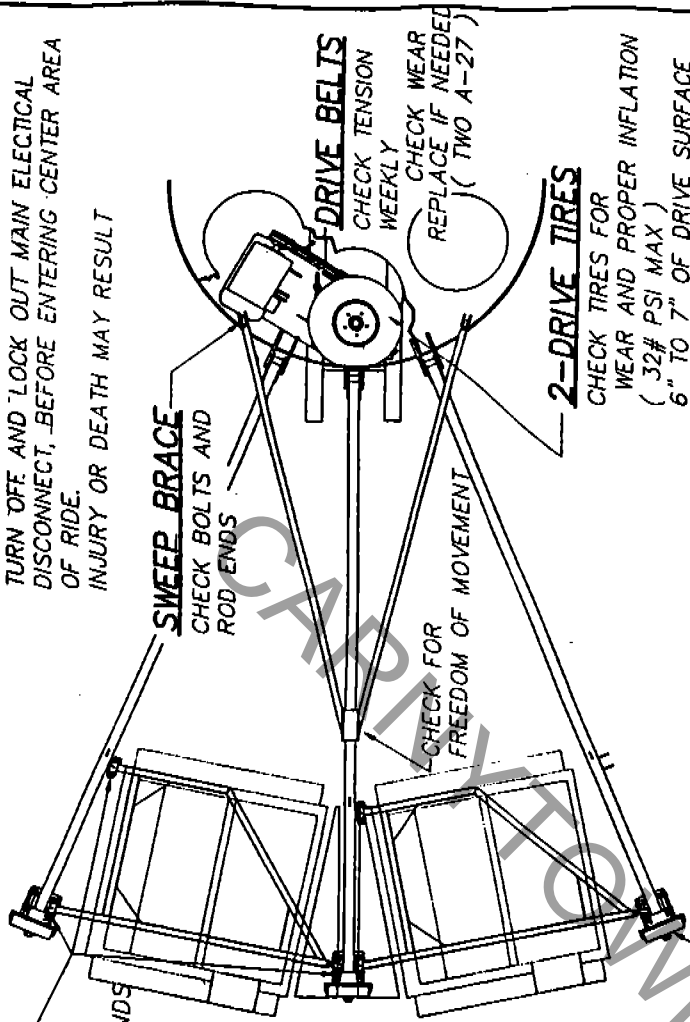
KEEP CLEAN AND DRY
TO PREVENT SLIPPING
CHECK FOR LOOSE NUTS AND BOLTS
CHECK FOR LOOSE OBJECTS OR CORDS
THAT MAY BE TRIP HAZARD

SEAT BOLTS

DAILY
CHECK FOR WORN
OR LOOSE BOLTS & NUTS
(3 PER CAR - 16 CARS)
EXCESSIVE WEAR OF ROD ENDS
CHECK THAT ROD END
JAM NUTS ARE TIGHT

DANGER!

TURN OFF AND LOCK OUT MAIN ELECTRICAL
DISCONNECT, BEFORE ENTERING CENTER AREA
OF RIDE.
INJURY OR DEATH MAY RESULT



SWEEP BRACE
CHECK BOLTS AND
ROD ENDS

DRIVE BELTS
CHECK TENSION
WEEKLY

CHECK WEAR
REPLACE IF NEEDED
(TWO A-27)

2-DRIVE TIRES

CHECK TIRES FOR
WEAR AND PROPER INFLATION
(32# PSI MAX)
6" TO 7" OF DRIVE SURFACE
IN CONTACT OF TREAD.

SWEEP WHEELS

DAILY
CHECK FOR BROKEN OR
MISSING ROLL PINS AND NUTS
EXCESSIVE WEAR
CHIPPED OR DAMAGED URETHANE
REPLACE IF CHIPPED OR WORN EXCESSIVELY

HANDLERBARS


CHECK FOR CRACKS
EXCESSIVE WEAR
SPLITS OR TEARS IN BOLSTER
LOOSE NUTS & BOLTS

LOCKS

CHECK DAILY FOR PROPER OPERATION
EXCESSIVE WEAR OF LOCK PINS
MISSING PULL KNOBS
EXCESSIVE WEAR OF LOCKING HOLES
REPLACE WHEN HANDLEBAR WILL NOT
LOCK PROPERLY
DO NOT USE SEAT UNTIL REPAIRED.

FIBERGLASS

CHECK FOR CRACKS
LOOSE OR MISSING RIVETS
LOOSE OR MISSING TRIM
CHECK BODY TO FRAME
MOUNTING BOLTS FOR LOOSENESS
OR CRACKED FIBERGLASS
DO NOT USE CAR THAT HAS CRACKED FIBERGLASS

 WISDOM INDUSTRIES		Merino, CO 80741	
SCALE: NTS	APPROVED BY:		
DATE: 04-04-94	DRAWN BY: MLH		
DESCRIPTION: CHECKLIST DIAGRAM		REVISED:	
EQUIPMENT: 1		DRAWING NUMBER:	
		KIDDIE-RIMALAYA (PARK MOUNT) CHECK	

SAFETY REQUIREMENTS

The key to safety is well trained and supervised employees. Make certain that all employees know how the ride operates. The employees should have a good attitude towards safety and common sense.

REMEMBER, SAFETY MUST ALWAYS COME BEFORE REVENUE.

Do not neglect the employees' safety. Before starting the ride, be certain there are no personnel inside the fences or on the ride structure. Be certain all electricity is turned off whenever an employee might come into contact with electrical connections or components.

GENERAL SAFETY GUIDELINES

The following is a list of a few general rules which should be adhered to by everyone. Remember that in the long run, the key to a safe and successful operation is to have well-trained and well-supervised employees.

1. All work must be done by competent, qualified mechanics capable of understanding the function of the parts and their proper installation.
2. Inspect the ride each day of operation to determine that no portion of the ride is damaged, omitted, or worn in such a manner that it is unsafe, or that unsafe conditions may develop.
3. Perform manufacturer's recommended maintenance procedures at intervals and in the manner specified by the Operation and Maintenance Manual, in the following general areas:
 - (a) Lubrication
 - (b) Electrical Systems
 - (c) Torquing of bolts
 - (d) Wear of bolted or pinned joints
 - (e) Adjustment and care of mechanical components
 - (f) Passenger securing devices
 - (g) All parts are present and installed
 - (h) Operating and emergency controls
 - (i) Factory installed safety devices

4. Study each job carefully to determine all hazards so that necessary safeguards can be taken.
5. Examine safety devices, tools, ladders, etc. before they are used to make sure they are in good condition.
6. Use the proper tool or equipment for each job. Ground all hand electric power tools before use unless the manufacturer advises otherwise.
7. Wear close fitting comfortable clothing when working on or close to mechanical apparatus or live electrical circuits. Avoid finger rings, jewelry, or other articles which may be caught in moving parts or come in contact with electrical circuits.
8. Protect your eyes by wearing approved safety glasses or goggles.
9. Where work is to be performed is hazardous, such as live electrical circuits, at least two men should work together.
10. If guards must be removed from equipment, make sure they are replaced before leaving the job.
11. Clean up each job and dispose of surplus materials.
12. Keep a record of parts replaced and date of replacement. Inform the manufacturer of any replacement requirements that are frequent or cause unsafe conditions.
13. Make modifications and additions as outlined in the manufacturer's Service and Safety Bulletins.

OPERATOR RESPONSIBILITIES

1. **HANDICAPPED PERSONS** - Persons who are physically handicapped must not be allowed to ride violent or fast moving rides. If the management of the amusement area allow handicapped to ride certain slow rides, the operator must ensure that the handicapped person is under the full control of an adult person who will ride with them and provide supervision during the ride or will not be injured while riding the ride.
2. **PROHIBITED PASSENGERS** - Operators shall not allow a passenger on the ride who cannot be properly secured due to his size or if there is a malfunction to the securing device. Similarly, they must refuse service to a pregnant woman, or a passenger who is visibly ill, or under the influence of alcohol or drugs.
3. **CLEARANCE PRECAUTION** - Before operating the ride, it is important to ensure that there are no personnel around the ride structure or any exposed electrical components or other areas where there could be a risk of injury.
4. **ON-DUTY ATTENTION** - Insist that each operator remain in full control of the operating controls during operation of the ride with complete attention to the ride and passengers. Under no circumstances should the operator leave his or her position while the ride is in operation.

If it does become necessary for the operator to leave his post at the controls, he must turn the ride off completely to ensure it does not accidentally start and injure passengers or staff.
5. **INSPECTION/CHECK LIST** - Operators must inspect the ride and complete a General Check List before each day's operation.
6. **DAILY WARM-UP** - The operator must always run the ride through several cycles before the first passengers are loaded. This warm-up without passengers is necessary to make sure the ride is safe and there are no problems mechanically not detected previously.

7. **PRECAUTIONS BEFORE AND DURING THE RIDE** - Never start the ride unless the operator or assistant is facing the ride and is in a position to observe the whole area because:
 - Patrons have been known to jump fences.
 - Patrons have been known to try to change positions while the ride is running.
 - Patrons have been known to "skylark" causing their own safety and that of others to be put in jeopardy.
 - The operator's assistant may wish to make a last minute adjustment and be put in a dangerous position when the operator puts the ride in motion.
8. **SMOKING** - Smoking is not allowed on the Himalaya. This includes the operator as well as the passengers.
9. **LOOSE ITEMS** - The area inside the Himalaya must be clear of any items that can fly out to the edge of the ride when it gets up to speed.
10. **FOOD AND DRINK** - It is recommended that no food or drink be allowed onto the ride.

OPERATOR SELECTION AND INSTRUCTION

1. Select competent, mature operators, capable of understanding the function and use of amusement rides and their control.
2. Instruct each operator fully in the proper use and function of the ride he is to supervise, including:
 - (a) Controls and procedures for normal and emergency operation.
 - (b) Manufacturer's recommended maximum speed and load.
 - (c) Manufacturer's recommended length of ride time and frequency of repeat rides.
 - (d) Any foreseeable misuse of the ride as determined by the manufacturer or owner, or by special conditions such as weather, location, or crowds.
 - (e) Each operator must have immediate availability of a manufacturer's Operator Manual for the ride he supervises.
3. Require each operator to inspect the ride he supervises, each day of the operation.
 - (a) Determine that no portion of the ride is damaged, omitted or worn in such a manner that it is unsafe or that it may develop into an unsafe condition.
 - (b) Report any irregularities to the superintendent or owner.
 - (c) Do not operate the ride if any irregularities are found until such condition has been corrected.
4. Instruct the operator to allow no passengers to ride who are visibly ill, or under the influence of drugs or alcohol.
5. Instruct operators and attendants on the proper methods of securing passengers in the ride. Do not allow a passenger to board a ride if he cannot be properly secured because of his size or because there is a malfunction of the securing device.

STOP the ride immediately if any passenger is observed moving from their seat, turning upside down, or behaving dangerously, such as standing up.

6. Advise the operator against starting or operating the ride while any person (passenger, spectator, or employee) is in an endangered or unsafe position on the ride, or within the ride area.
7. Insist that each operator remain in full control of the operating controls during operation of the ride, and gives his full attention to the ride and its passengers.
8. Instruct the operator to let no other person, other than another trained operator, operate the controls of the ride, except those portions of the ride that are specifically designed to be controlled by the passenger.
9. Advise the operator that factory-installed safety devices are not to be tampered with or removed.
10. Advise the operator of owner/supervisor procedures for assisting ill or injured passengers.
11. Instruct operators and attendants that patrons are required to secure all articles, such as keys, change, eye glasses, etc., which may become loose while riding.

OPERATING AMUSEMENT DEVICES - OPERATOR INSTRUCTIONS

The following are the correct loading (balance) procedure for amusement devices:

1. Every amusement ride must always be operated with a balanced load of passengers at all times.
2. The balancing rule is to ensure an even load on the ride's structure and mechanical drive, which in turn will cause less wear and tear and ensure a safer, longer life of the structure with less down time for adjustments and repairs.
3. In practical terms, consider the difference in driving a motor vehicle with balanced wheels as against unbalanced wheels, which causes vibrations and eventually wear and tear. The majority of operators have experienced driving a car with unbalanced wheels and the consequent results. Amusement devices are mostly large wheels and react the same as an automotive wheel when out of balance.
4. Although the out of balance load on some devices cannot be felt by the passengers or operator, it is still essential for the ride to be balanced.
5. On an extremely fast moving ride, it is essential that the ride be accurately balanced at all time.
6. Although it may not be strictly essential to balance slower revolving rides, it is still most desirable to achieve a balanced load, in the interests of the passengers and the owner of the ride, for increased safety and less "wear and tear".