

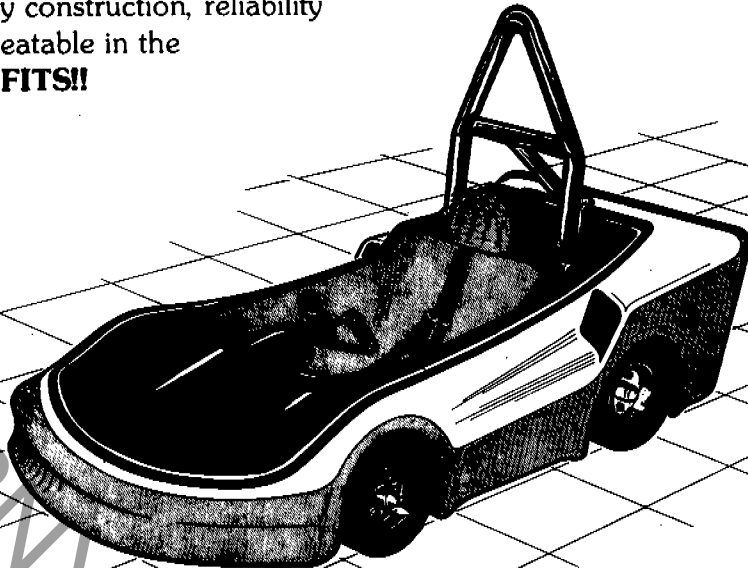
# WEBBER

Engineering & Manufacturing In  
909-889-0039

MFG: WEBBER ENG. & MFG. CO.  
INC.  
NAME: GO-KARTS  
TYPE: NON-KIDDIE

The **WEBBER RACER's** quality construction, reliability and mass public appeal are unbeatable in the department that counts — **PROFITS!!**  
This top selling, full-bodied go-kart just can't lose!

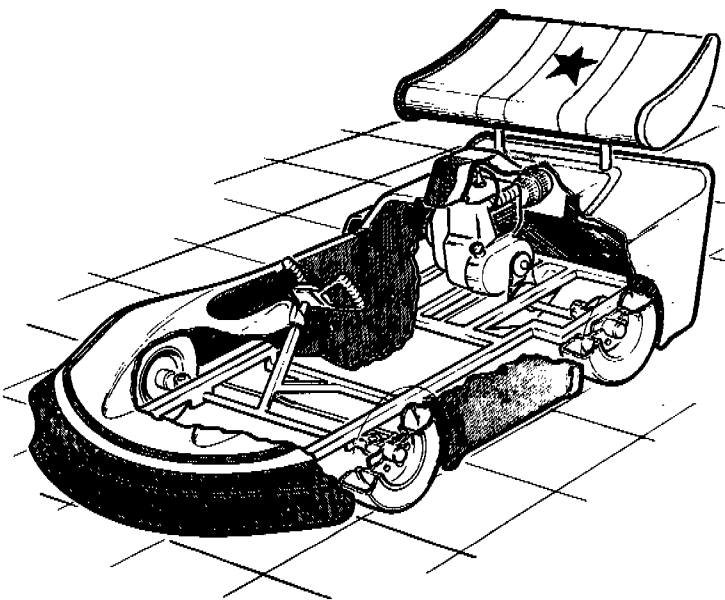
We produce **ONLY** the **BEST** for the **BEST**.



The **WEBBER RACER** has been designed to give its rider a safe and comfortable ride. The body is molded from impact resistant plastic with a steel frame. It is especially designed to hold the smallest and largest people comfortably. Because of our unique design, the center of gravity is probably the safest on the market today.

Racers can be painted in ten color combinations. The ever-popular All-American, Phoenix Fire-Bird, and New Year's Special designs are also available.

The **WEBBER RACER** comes standard with a three color paint combination urethane black rubber bumper, knee pads, head rest pad, steering wheel pad, chrome "exhaust" stacks, enclosed chain guard and safety shoulder harness, seat belt and chrome roll bar.



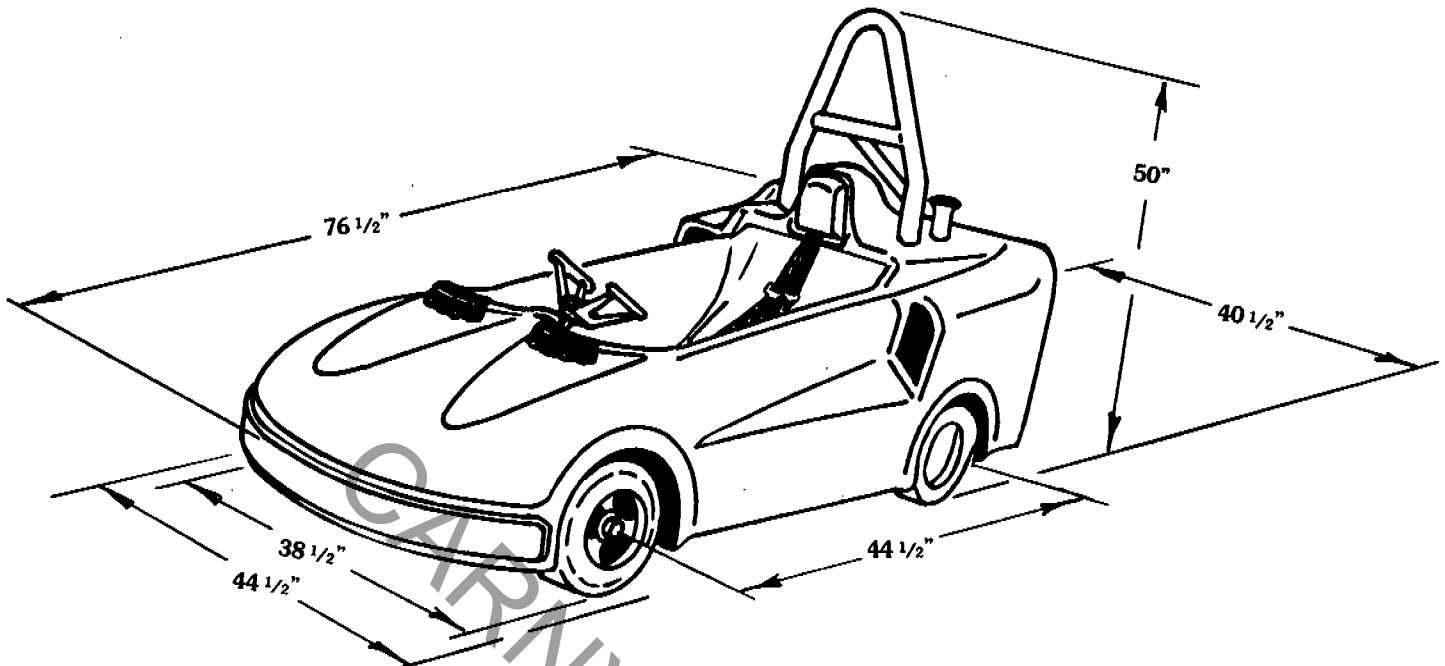
Run our car on a track with our recommended rail system or an open track surrounded with turf.

Tracks should be a minimum of 20' wide in a minimum area of 200' x 280'.

# WEBBER

Engineering & Manufacturing Inc.

909-889-0039



## THE WEBBER RACER SPECIFICATIONS

### **BODY:**

1/4" - 5/16" thick cross-link polyethylene impact resistant molded plastic  
Available in ten color combinations  
Natural black plastic lower scuff perimeter, durable urethane front bumper  
2 decorative chrome "exhaust" stacks  
Chrome roll bar standard  
Body easily removable in five minutes or less  
Combination shoulder harness and seat belt, urethane headrest, knee pads and steering wheel pad

### **FRAME:**

1 1/4" square x .120 wall steel tubing (.187W at stress points)  
1" diameter stressproof, three bearing live rear axle  
Lubricated Timken-type roller bearing front wheels, self aligning sealed ball bearing rear axle, lubricated needle bearing front spindles, self-lubricating bushing in steering column  
All bearings sealed or with lube fittings, spherical ball tie rod ends  
Single rod operated mechanical disc brake on rear axle  
Right hand independent gas and brake pedals (RH gas & LH brake optional)

### **ENGINE:**

5.5 Honda GX160K1RH 4 stroke engine with overhead valves  
All engines are industrial quality and forced air-cooled  
2.1 gear reduction on engine with integral centrifugal wet clutch  
Heavy duty H.T.D. timing belt drive, readily adjustable final drive tension  
Metal guard protects belt and drive sprocket from moisture, grit and impacts  
Positive throttle pedal stop, compression spring return  
Separate carburetor return spring

### **GENERAL:**

6" diameter pressed steel wheels (5" wheels optional)  
125" inside turning radius, Butterfly steering wheel, 90 degree lock to lock  
All engines equipped with impulse fuel pump  
2.7 gallon plus polyethylene fuel tank, uses regular or unleaded gasoline  
380 lb. (approximate) curb weight with fuel and oil  
Racer is delivered with engine governor preset by Honda Motor Co. at a R.P.M. equivalent to 18 M.P.H.  
(approximate) which is our recommended speed  
All dimensions above are approximate and in inches

### **OPTIONS:**

Protective metal bumper  
Black powder coated rear wheel well guards  
Single wheel drive  
Spoiler  
Custom metallic paint or special designs  
6.5, 8 or 9 HP Honda Engine

**WEBBER**  
**Engineering & Manufacturing Inc.**  
909-889-0039



*The Most Widely  
Received Car in  
All of Japan*

---

---

---

***SLICK TRACK RACER***

**MANUFACTURING QUALITY PRODUCTS FOR QUALITY PARKS**

- Designed for maximum use and reliability on “slick tracks”
- Belt driven differential axle
- Easier steering for all ages
- Custom paint designs in ten racy colors
- Stylishly designed tubular, chromed roll bar
- Attractive, yet durable head rest, steering wheel pad and knee pads
- Low maintenance overhead valve 5.5 HP Honda engine
- Two decorative chrome “exhaust” stacks
- Combination shoulder harness and seatbelt
- Durable urethane black front bumper

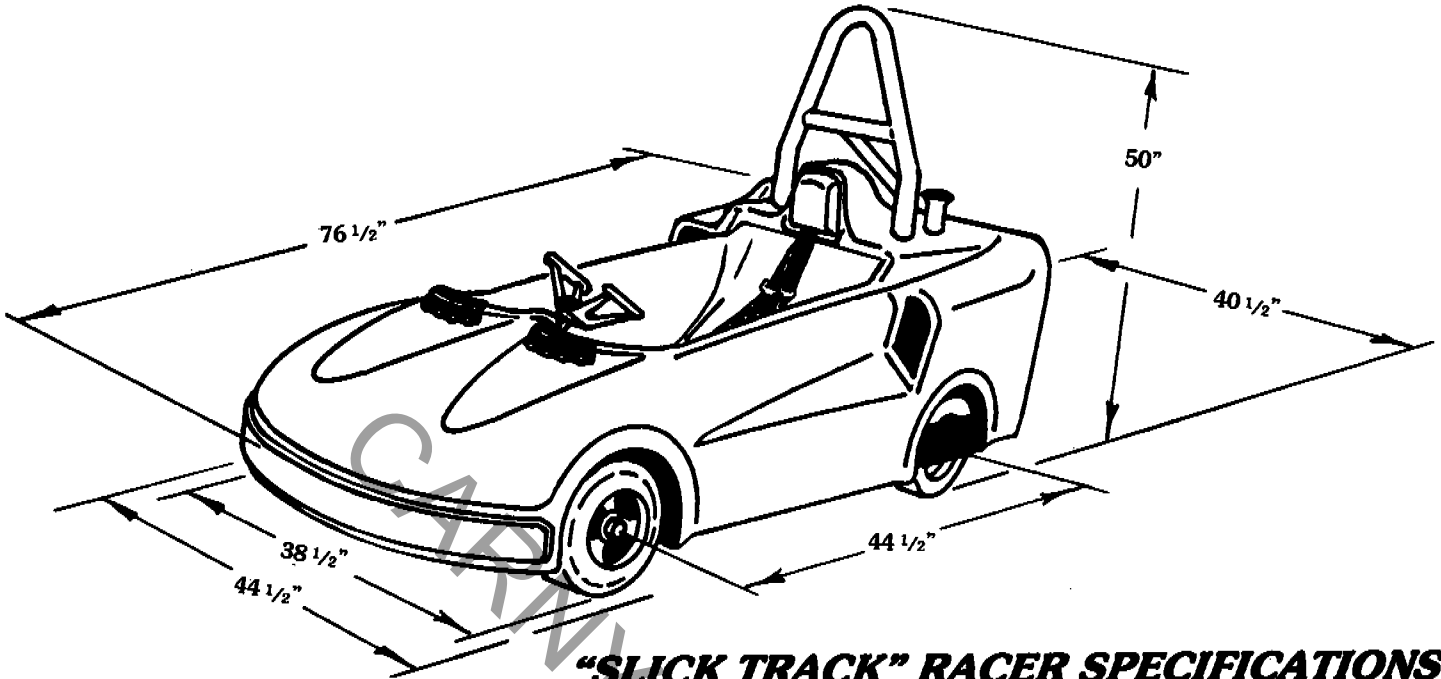
**WEBBER Engineering & Manufacturing, Inc.**

TEL.: (909) 889-0039

FAX: (909) 889-1434

# WEBBER

Engineering & Manufacturing Inc.  
909-889-0039



**BODY:**

1/4" - 5/16" thick cross-link polyethylene impact resistant molded plastic  
Available in ten basic colors (in three color combinations)  
Natural black plastic lower scuff perimeter, with durable urethane front bumper  
Chrome roll bar standard  
Combination shoulder harness and seat belt, urethane headrest, knee pads and steering wheel pad  
Two decorative chrome "exhaust" stacks  
Black powder coated rear wheel well guards  
Body easily removable in five minutes or less

**FRAME:**

1 1/4" square x .120 wall steel tubing (.187 W at stress points)  
1" diameter stressproof, 4 bearing, differential axles  
Lubricated Timken-type roller bearing front wheels, self aligning sealed ball bearing rear axle, needle bearing front spindles, self-lubricating bushing in steering column  
All bearing sealed or with lube fittings  
Spherical ball tie rod ends  
Dual rear disc brakes with MICO mechanical calipers and heavy duty cast iron discs  
Right hand independent gas and brake pedals (RH gas & LH brake optional at no extra charge)

**ENGINE:**

5.5 H.P. Honda GX160K1RH 4 stroke engine with overhead valves, engines are industrial quality and forced air-cooled  
2.1 gear reduction on engines with integral centrifugal wet clutch  
Heavy duty H.T.D. timing belt, readily adjustable final drive tension  
Metal guard protects belt and drive sprocket from moisture, grit and impacts  
Positive throttle pedal stop, compression spring return  
Separate carburetor return springs

**GENERAL:**

6" diameter pressed steel wheels (5" wheels optional)  
125" inside turning radius, butterfly steering wheel, 90 degree lock to lock  
All engines equipped with impulse fuel pump  
2.7 gallon plus polyethylene fuel tank, uses regular or unleaded gasoline  
380 lb. (approximate) curb weight with fuel and oil  
Racer is delivered with engine governor preset by Honda Motor Company at a RPM equivalent to 18 MPH approximate, which is our recommended speed  
All dimensions above are approximate and in inches

**OPTIONS:**

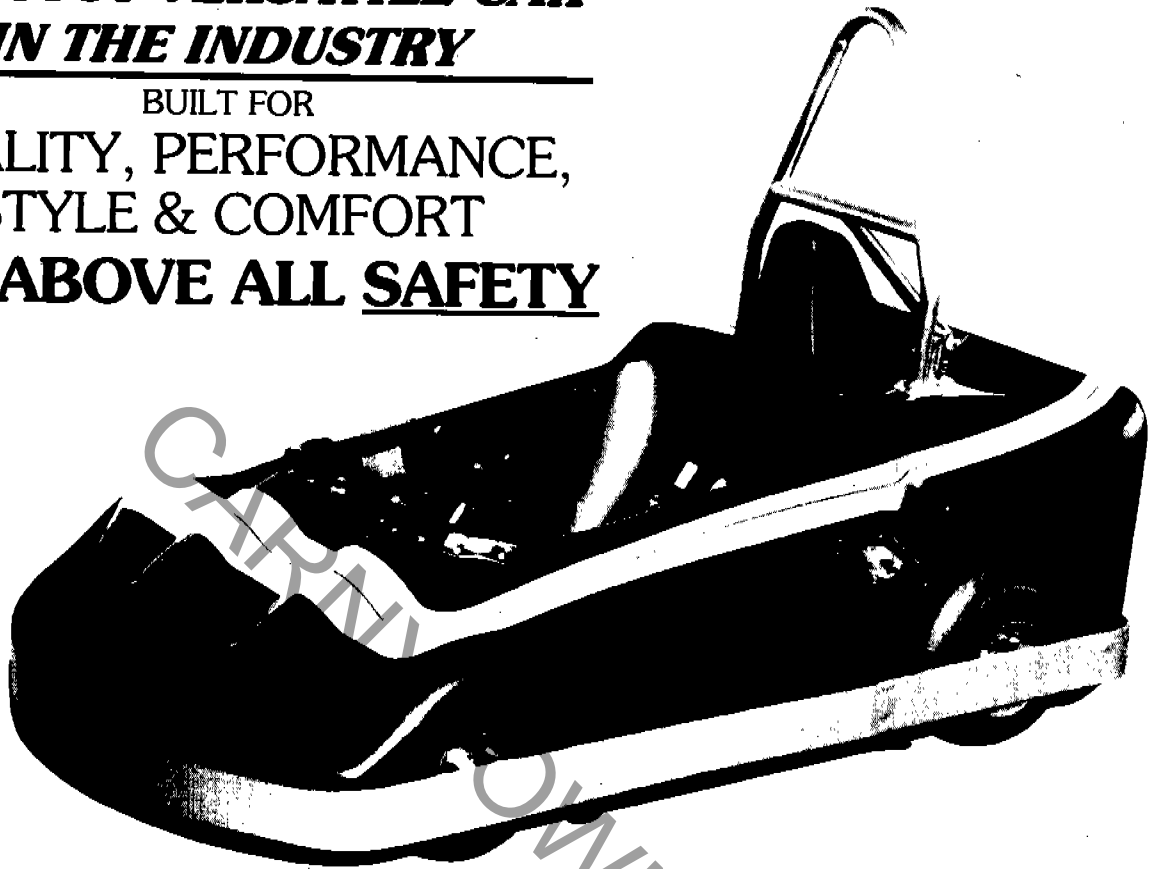
Decorative Spoiler  
Custom Metallic Paint or Special Designs  
6.5, 8, or 9 HP Honda engine

# **WEBBER ENGINEERING**

PROUDLY PRESENTS

## **THE MOST VERSATILE CAR** **IN THE INDUSTRY**

BUILT FOR  
QUALITY, PERFORMANCE,  
STYLE & COMFORT  
**BUT ABOVE ALL SAFETY**



## ***V-RACER***

### **MANUFACTURING QUALITY PRODUCTS FOR QUALITY PARKS**

- Designed for maximum use and reliability on a variety of tracks and surfaces
- Belt driven differential axle
- Easier steering for all ages
- Custom paint designs in ten racy colors
- Stylishly designed tubular, chromed roll bar
- Attractive, yet durable head rest, steering wheel pad and knee pads
- Low maintenance overhead valve 5.5 HP Honda engine
- Two decorative chrome "exhaust" stacks
- Combination shoulder harness and seat belt - (4 point)
- Spring steel body-band bumper, painted black
- Many other options available upon request

**WEBBER Engineering & Manufacturing, Inc.**

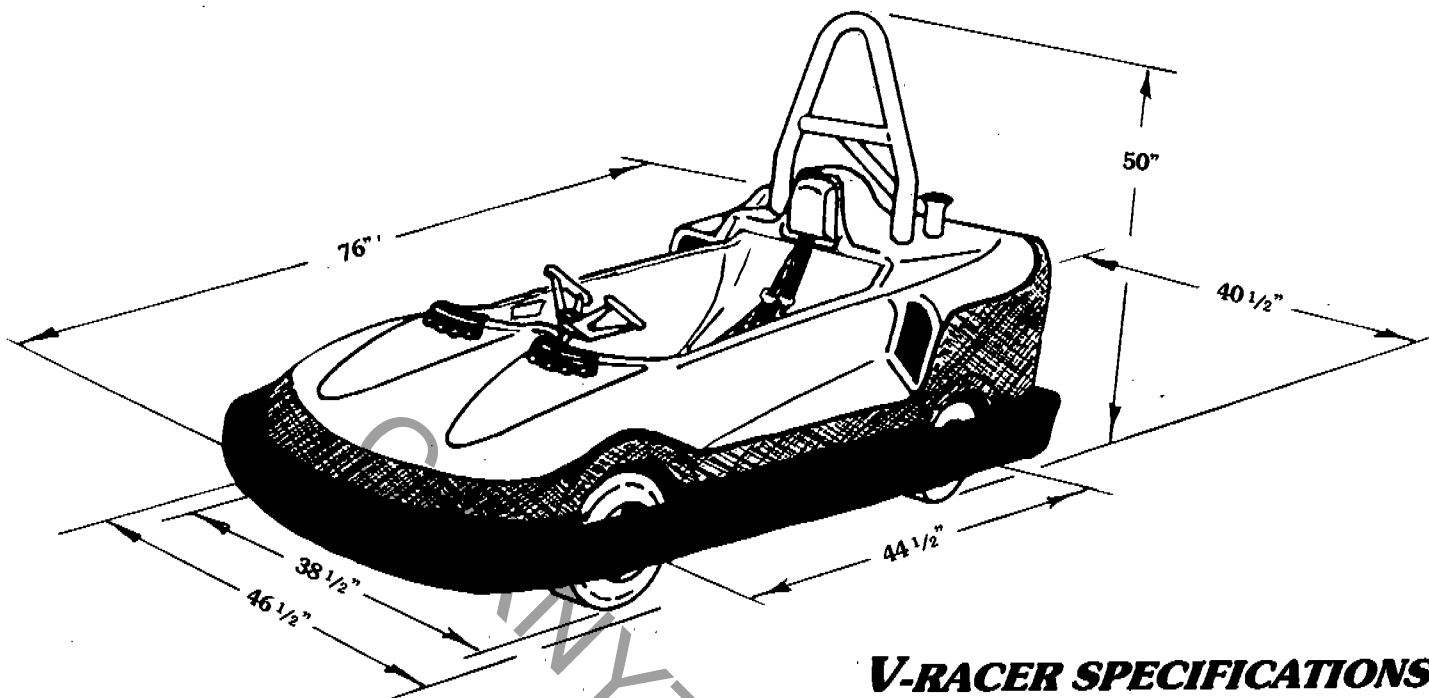
TEL.: (909) 889-0039

FAX: (909) 889-1434

# WEBBER

Engineering & Manufacturing Inc.

909-889-0039



## V-RACER SPECIFICATIONS

### **BODY:**

1/4" - 5/16" thick CL100 impact resistant molded plastic  
Available in ten basic colors (in three color combinations, blends or solids)  
Natural black plastic lower scuff perimeter  
Chrome roll bar standard  
Combination shoulder harness and seat belt, urethane headrest, knee pads and steering wheel pad  
Two decorative chrome "exhaust" stacks  
Body protected by spring steel body-band painted black  
Body easily removable in five minutes or less

### **FRAME:**

1 1/4" square x .120 wall steel tubing (.187 W at stress points)  
1" diameter stressproof, 4 bearing, differential axle  
Lubricated Timken-type roller bearing front wheels, self aligning sealed ball bearing rear axle, needle bearing front spindles, self-lubricating bushing in steering column  
All bearings sealed or with lube fittings  
Spherical ball tie rod ends  
Dual rear wheel braking with MICO mechanical calipers and heavy duty cast iron discs  
Right hand independent gas and brake pedals (RH gas & LH brake optional at no extra charge)

### **ENGINE:**

5.5 HP Honda GX160 4 stroke engine with overhead valves, engines are industrial quality and forced air-cooled  
2.1 gear reduction on engines with integral centrifugal wet clutch  
Heavy duty H.T.D. timing belt, readily adjustable final drive tension  
Metal guard protects belt and drive sprocket from moisture, grit and impacts  
Positive throttle peddle stop, compression spring return  
Separate carburetor return springs

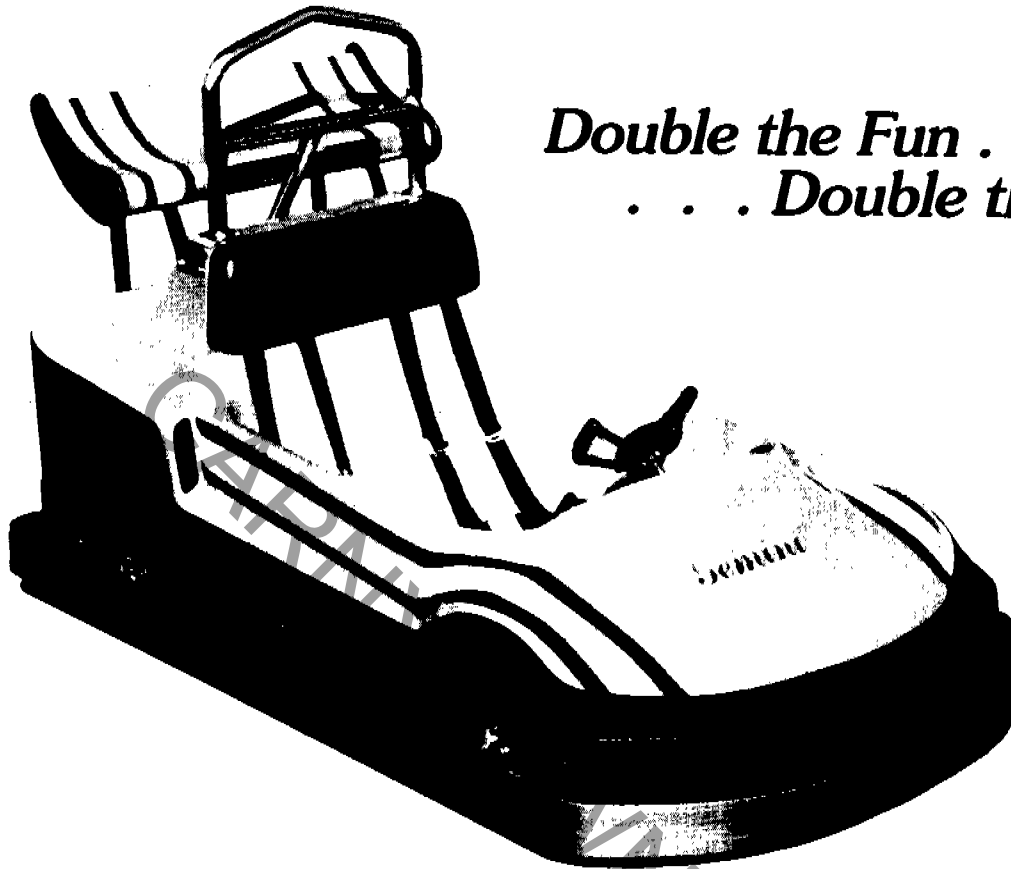
### **GENERAL:**

6" diameter pressed steel wheels (5" wheels optional)  
125" inside turning radius  
Butterfly steering wheel, 90 degree lock to lock  
All engines equipped with impulse fuel pump  
2.7 gallon plus polyethylene fuel tank, uses regular or unleaded gasoline  
460 lb. (approximate) curb weight with fuel and oil  
Racer is delivered with engine governor preset by Honda Motor Company at a RPM equivalent to 18 MPH approximate, which is our recommended speed  
All dimensions above are approximate and in inches

### **OPTIONS:**

6.5, 8 or 9 HP Honda engine  
Decorative spoiler

**WEBBER**  
**Engineering & Manufacturing Inc.**  
**909-889-0039**



*Double the Fun . . .  
. . . Double the Profit*

***GEMINI - Two-Seat Racer***

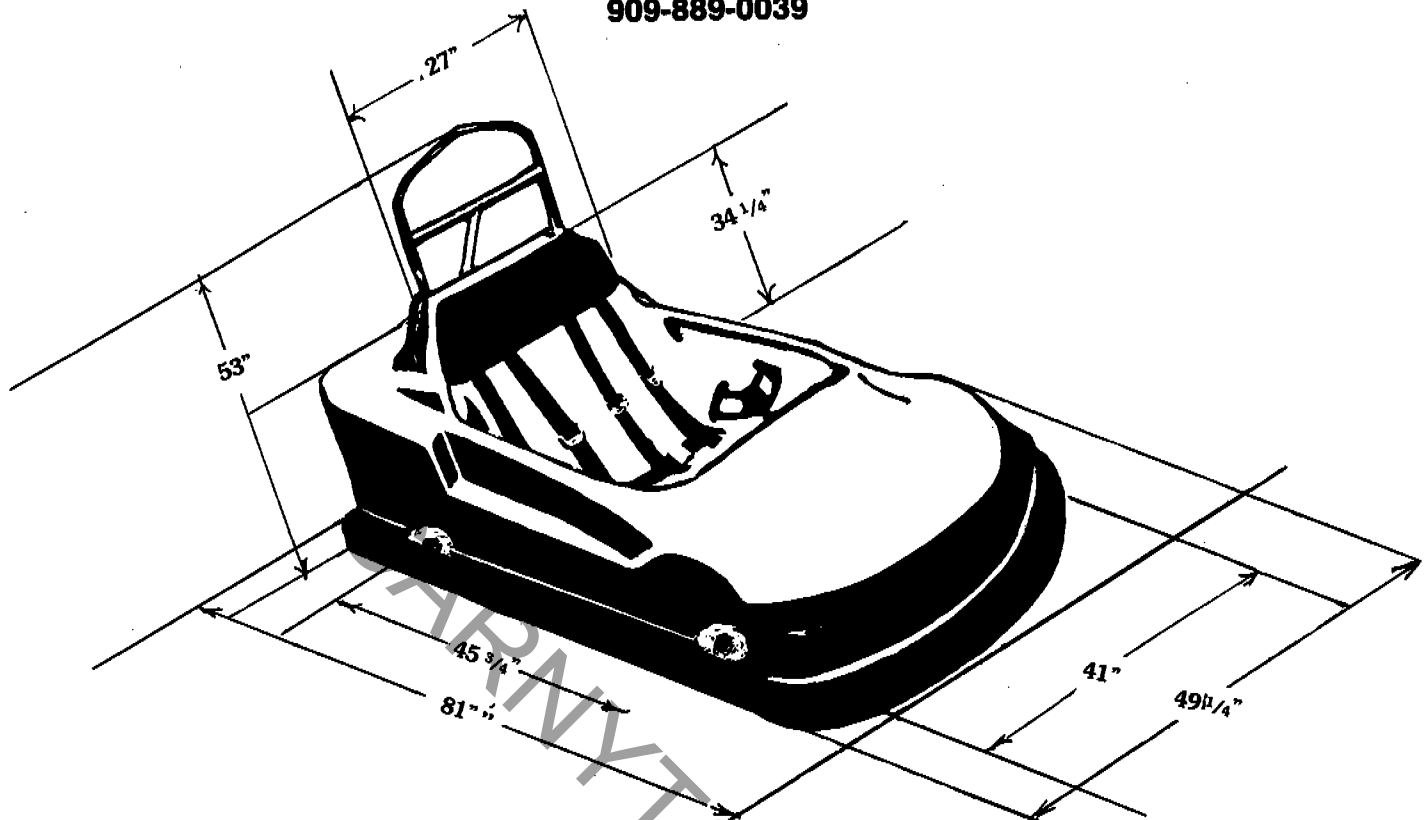
- Designed for the safety and enjoyment of two, the "*Gemini*" will perform reliably on a variety of tracks and surfaces
- As with all Webber Racers, the "*Gemini*" will run clockwise or counter-clockwise on any track
- State-of-the-art steering for easier handling and better control
- Custom paint designs in ten racy colors
- Stylishly designed tubular, chromed roll bar
- Protective, attractive, durable head rest and steering wheel pad
- Low maintenance overhead valve 5.5 HP Honda 4 stroke engine
- Dual combination shoulder harness and seat belts
- Shock absorbing extended bumper system to protect body
- Dual braking system

**WEBBER Engineering & Manufacturing Inc.**  
TEL.: (909) 889-0039  
FAX: (909) 889-1434

# WEBBER

Engineering & Manufacturing Inc.

909-889-0039



## GEMINI RACER SPECIFICATIONS

### **BODY:**

3/16" thick color gel coated fiberglass  
Available in ten basic colors (in 3 color combinations)  
Black lower scuff perimeter  
Dual combination shoulder harness and seat belt  
Padded urethane foam headrest and steering wheel pad  
Chrome roll bar  
Body easily removable in 5 minutes or less

### **FRAME:**

1 1/4" square x 3/16" wall steel tubing, cross braced with rectangular tubing and gusseted at stress points  
5/16 x 4" tempered spring steel wrap-around bumper mounted on rubber "D" rings  
1" diameter stressproof, 4 bearing, differential axle  
Lubricated Timken-type roller bearing front wheels, self aligning sealed ball bearing rear axle, needle bearing front spindles, self-lubricating bushings in steering column, spherical ball tie rod ends  
All bearings sealed or with lube fittings  
Single rod operated heavy duty mechanical dual disc brakes on rear axle  
Independent gas and brake pedals on left side

### **ENGINE:**

5.5 HP Honda GX160 4 stroke with overhead valves, engines are industrial quality and forced air cooled  
2.1 gear reduction on engine with integral wet clutch  
Heavy duty H.T.D. timing belt with readily adjustable final drive tension  
Metal guard protects belt and drive sprocket from moisture, grit and impacts  
Positive throttle pedal stop, compression spring return  
Separate carburetor return spring

### **GENERAL:**

Chrome 6" diameter pressed steel wheels  
Butterfly steering wheel  
134" inside steering radius, 65° lock to lock  
All engines equipped with impulse fuel pump  
2.7 gallon plus polyethylene fuel tank, uses regular or unleaded gas  
530 lb. (approximate) dry weight  
Racer is delivered with engine governor preset by Honda Motors at a RPM equivalent to approximately 18 MPH,  
which is our recommended speed  
All dimensions above are approximate and in inches

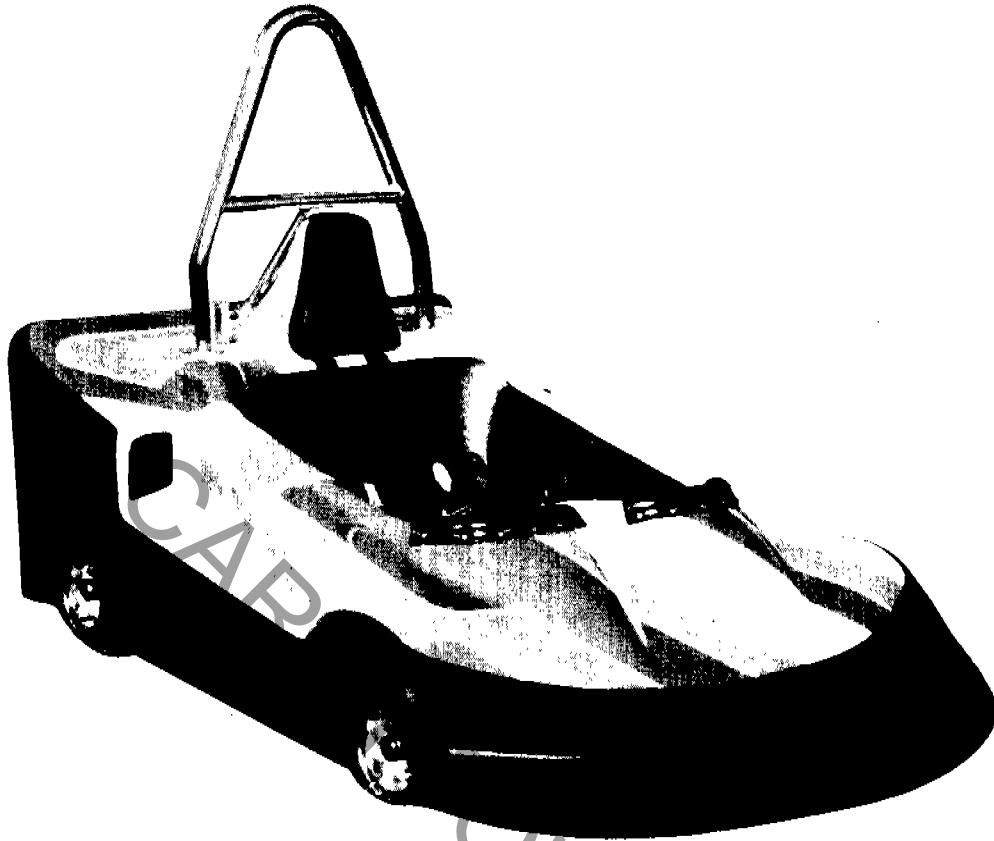
### **OPTIONS:**

Polyethylene bumper cover  
Decorative impact resistant molded plastic spoiler  
6.5, 8, or 9 HP Honda 4 stroke engine

# **WEBBER**

**Engineering & Manufacturing Inc.**

909-889-0039



## **THE "ELECTRIC" RACER**

### **MANUFACTURING QUALITY PRODUCTS FOR QUALITY PARKS**

- Designed for maximum use and reliability on ALL TRACKS
- Chain Final Drive
- Easier steering for all ages
- Custom paint designs in ten racy colors
- Stylishly designed tubular, chromed roll bar
- Attractive, yet durable head rest, steering wheel pad and knee pads
- Low maintenance Gel Cell 85 A.H. batteries
- Dependable 1 H.P. Bosch D.C. motor
- Combination shoulder harness and seatbelt
- Durable urethane black front bumper

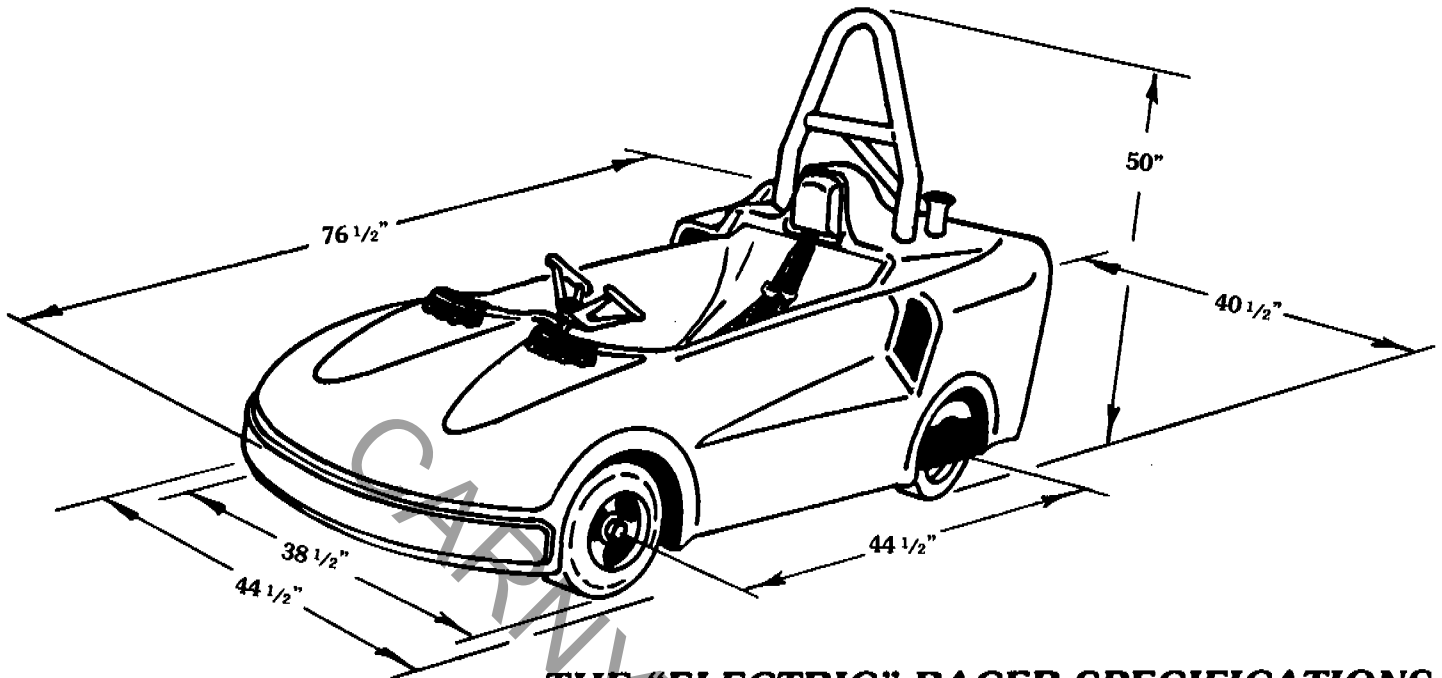
**WEBBER Engineering & Manufacturing, Inc.**

TEL.: (909) 889-0039

FAX: (909) 889-1434

# WEBBER

Engineering & Manufacturing Inc.  
909-889-0039



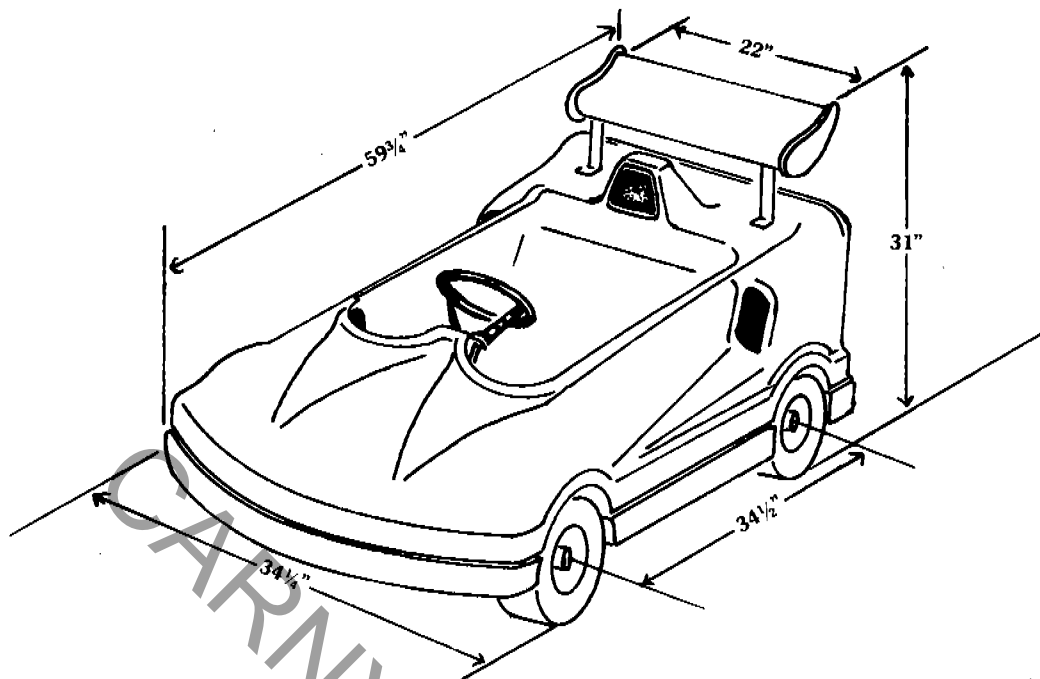
## THE "ELECTRIC" RACER SPECIFICATIONS

- BODY:** 1/4" thick cross-link polyethylene impact resistant molded plastic  
Available in ten basic colors (in three color combinations)  
Natural black plastic lower scuff perimeter, with durable urethane front bumper  
Chrome roll bar standard  
Combination shoulder harness and seat belt, urethane headrest, knee pads and steering wheel pad  
Black powder coated rear wheel well guards  
Body easily removable in five minutes or less
- FRAME:** 1 1/4" square x .120 wall steel tubing  
1" diameter stressproof, 3 bearing, axle  
Lubricated Timken-type roller bearing front wheels, self aligning sealed ball bearing rear axle, needle bearing front spindles, self-lubricating bushing in steering column  
All bearing sealed or with lube fittings  
Spherical ball tie rod ends  
Rear disc brakes with MICO mechanical caliper and heavy duty cast iron discs
- POWER:** 36 Volt DC, 750 Watt Motor (1 H.P.)  
175 Amp controller  
Adjustable Pot Box  
Key On-Off switch  
3 Gel Cell 85 A.H. batteries connected in series  
Chain Drive readily adjustable final drive tension  
Metal guard protects chain and drive sprocket from moisture, grit and impacts  
Positive throttle pedal stop, compression spring return
- GENERAL:** 6" diameter pressed steel wheels (5" wheels optional)  
125" inside turning radius, butterfly steering wheel, 90 degree lock to lock  
365 lbs. (approximate) curb weight  
18 MPH approximate  
Single wheel drive  
3.5 hours of operation draws 80% discharge. Recharge @ 14 amps per hour  
All dimensions above are approximate and in inches
- OPTIONS:** Custom Metallic Paint or Special Designs  
Polyethylene wrap around bumper  
Custom "In-track" charging station, charges batteries whenever carts are parked for boarding, unboarding or overnight

# WEBBER

Engineering & Manufacturing Inc.

909-889-0039



## "THE DRAG-ON" CHILD'S RACER

Now there's racing fun for the young ones, with our sporty, fiberglass-bodied "DRAG-ON." This new gasoline powered 8 M.P.H. racer can be used in a small area on either a permanent or portable track. With this economical beauty your profits certainly won't be *DRAAAG-INNN*.

**BODY:** 3/16" Fiberglass

Custom paint designs in 10 racy colors  
1 1/8" x 3/4" polyurethane rubber bumper around frame to protect body  
Decorative "spoiler" standard  
Body easily removable

**FRAME:** 1" square x .074 wall steel tubing

Positive steering stops  
Precision sealed ball bearing front and rear  
1" dia. rear axle  
Single rod activated drum brake

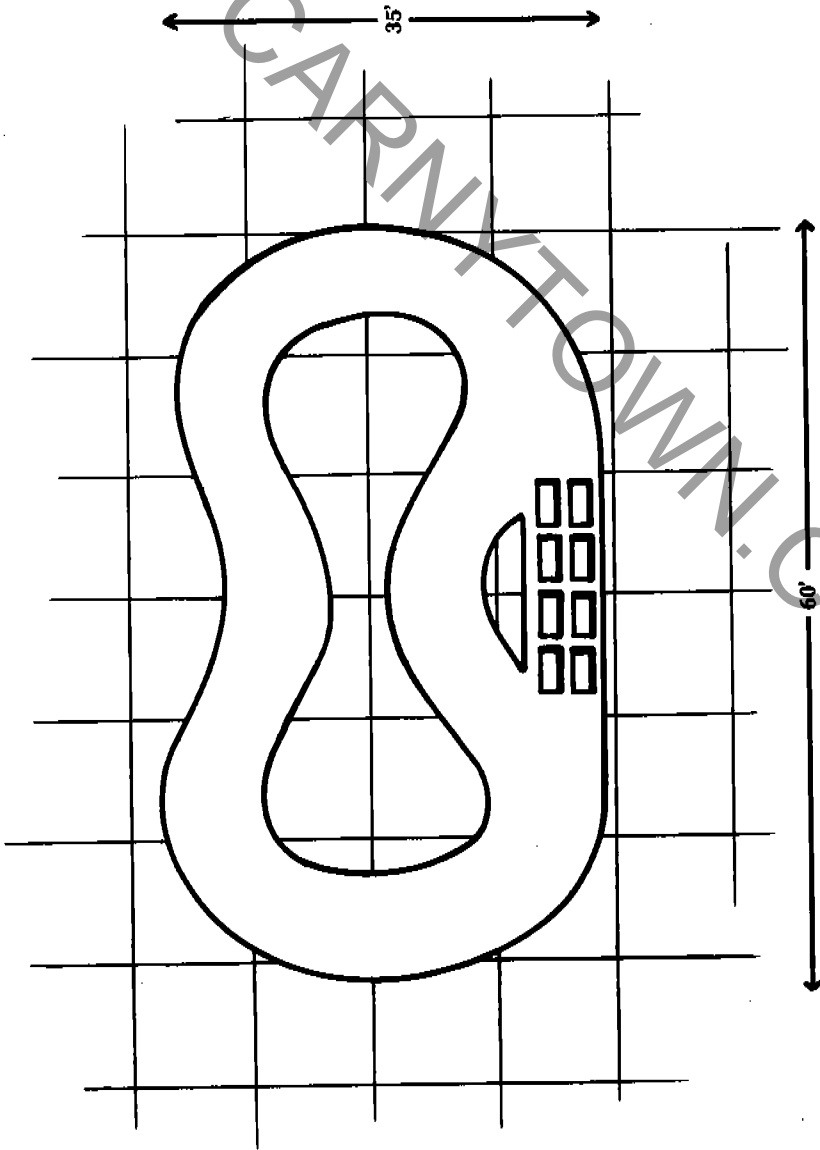
**ENGINE:** 2 HP Honda G-100 industrial quality engine, 4-stroke, side valve, forced air-cooled

2.33:1 gear reduction on engine with centrifugal clutch and 5.0:1 final #35  
chain drive, readily adjustable final drive tension  
Positive throttle pedal stop, compression spring return  
1.4 liter gas tank (approx. 4 to 6 hours of operation)

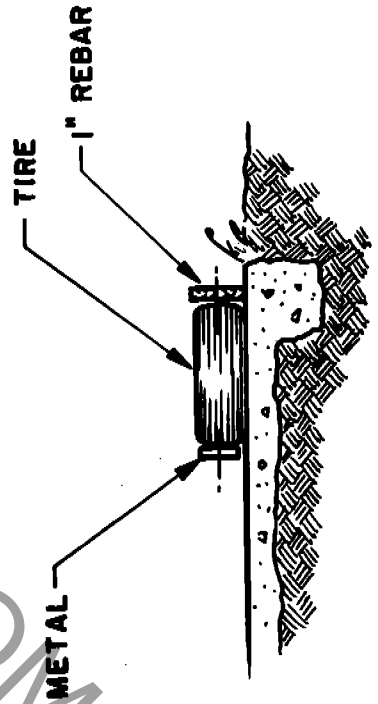
**GENERAL:** All dimensions above are approximate and in inches

4" diameter wheels  
130" inside turning radius  
155 lb. (approximate) curb weight with fuel  
8 M.P.H. maximum (approximate) with mechanical governor  
Single wheel drive (reduces tire wear)  
Round chrome steering wheel with foam padded grip  
Padded headrest for safety

**OPTIONS:** 5.5 HP Honda GX160 4 stroke engine  
Custom metallic paint or special designs



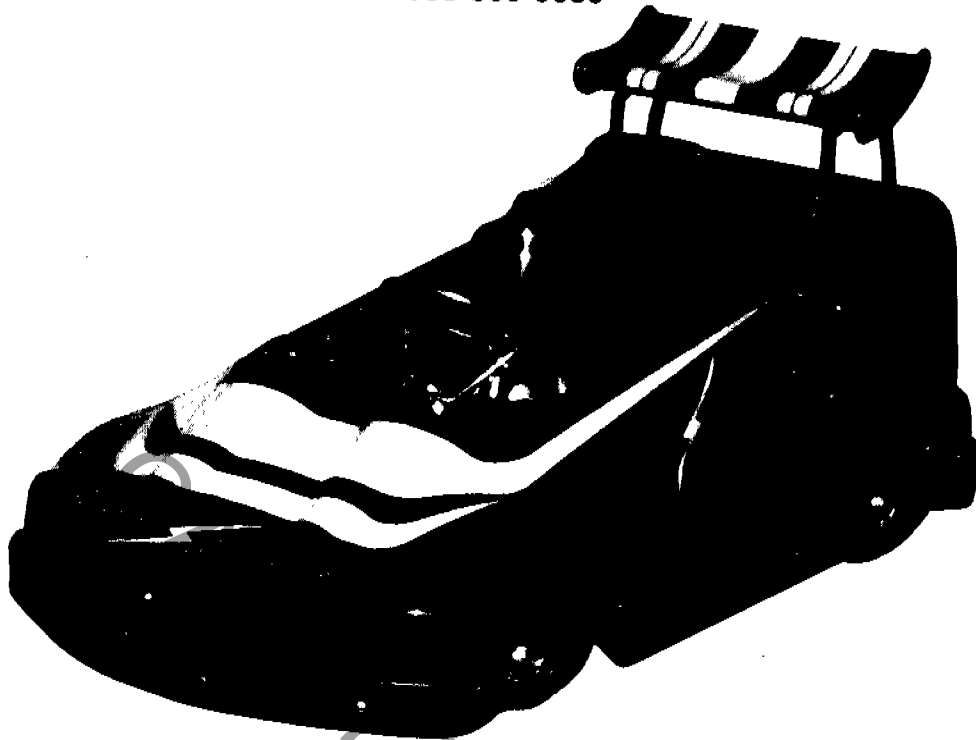
Approx. 200 linear feet  
in the shape of an oval  
or an easy road track



# WEBBER

Engineering & Manufacturing Inc.

909-889-0039



## THE ELECTRIC "DRAG-ON" CHILD'S RACER

Now there's racing fun for kids with our sporty, fiberglass-bodied 'ELECTRIC DRAG-ON'. This new battery powered racer can be used in a small area, and it's quiet operation is suitable for either indoor or outdoor use.

**BODY:**

3/16" Fiberglass  
Custom paint designs in 10 racy colors  
1 1/8" x 3 1/4" polyurethane rubber bumper around the frame to protect body  
Decorative "spoiler" standard  
Body easily removable

**FRAME:**

1" square x .074 wall steel tubing  
Positive steering stops  
Precision sealed ball bearing front and rear  
1" diameter rear axle  
Single rod activated drum brake

**POWER:**

24 Volt DC, 750 Watt Motor (1 H.P.)  
175 AMP controller  
Key Switch  
2 Gel cell batteries  
Chain drive, readily adjustable final drive tension  
Adjustable positive throttle pedal stop, compression spring return

**GENERAL:**

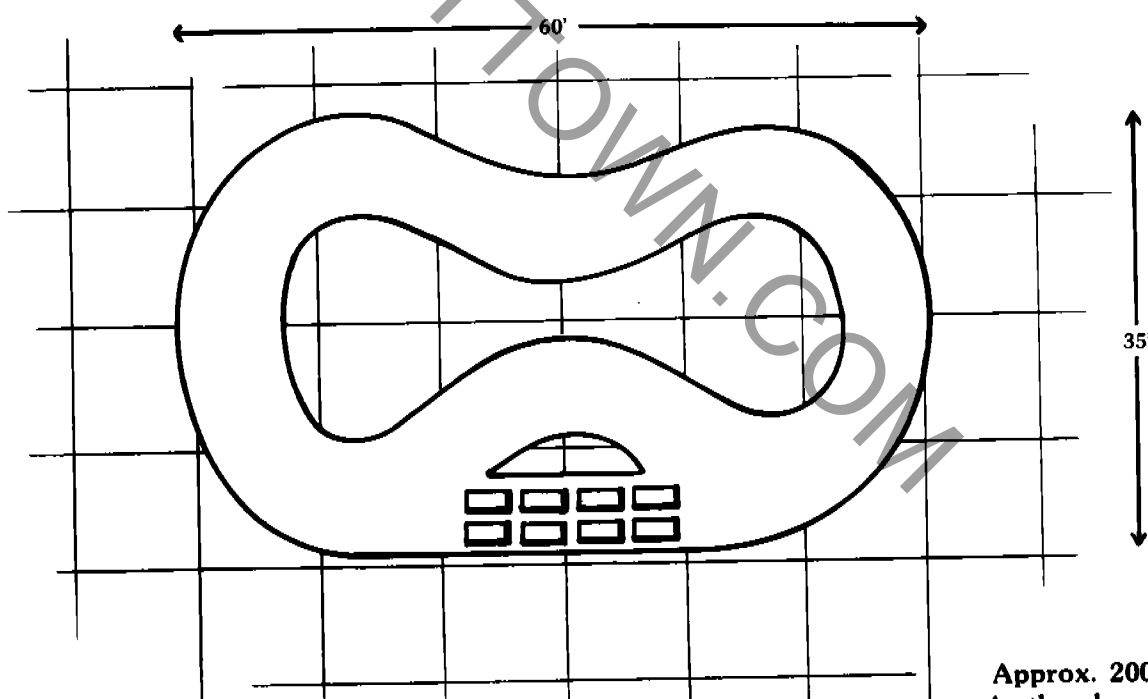
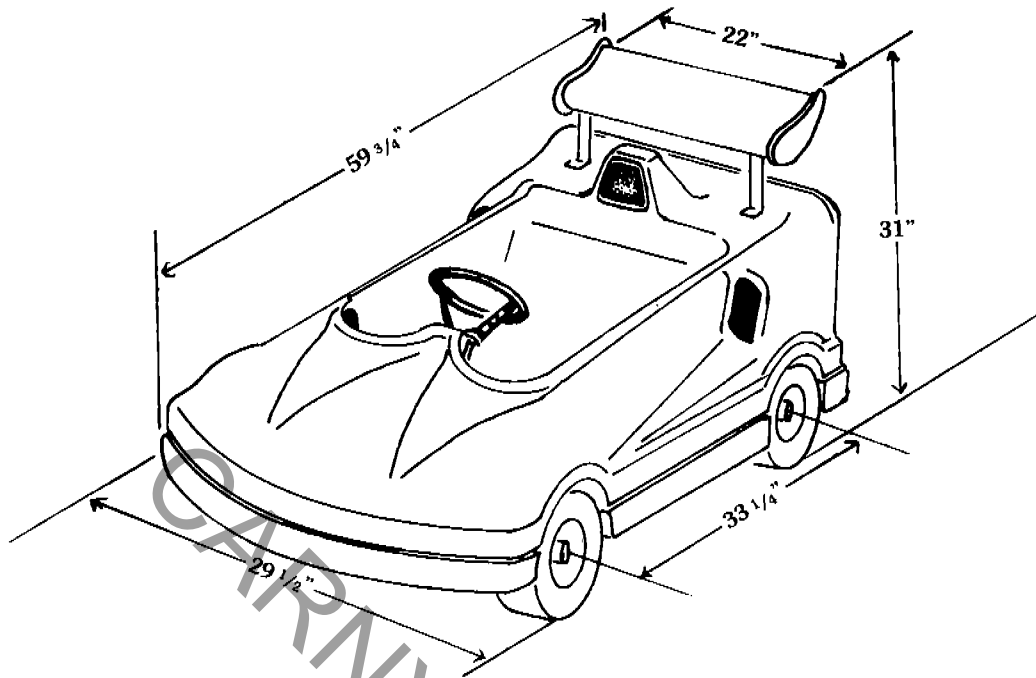
All dimensions are approximate and in inches  
4" diameter wheels  
130" inside turning radius  
222 lbs. (approximate) curb weight  
8 M.P.H. (approximate)  
Single wheel drive (reduces tire wear)  
Round chrome steering wheel with foam padded grip  
Padded headrest for safety  
6 to 7 hours of operation draws 80% battery discharge, recharge in 5.7 hours with 10 amp charger

**OPTIONS:**

Custom metallic paint or special designs  
On board charging system

# WEBBER

Engineering & Manufacturing Inc.  
909-889-0039



Approx. 200 linear feet  
in the shape of an oval  
or an easy road track

