

"DRUMS"



CARTOON



" DRUMS "

MOD. 167

OPERATION AND MAINTENANCE

CARNYTOWN.COM

GENERAL INDEX

- 1) TECHNICAL DATA
- 2) TECHNICAL DIAGRAM
- 3) ORDINARY MAINTENANCE
- 4) OPERATION
- 5) WHAT TO DO IN CASE OF
- 6) SAFETY NOTES

CARPNYTOWN.COM

TECHNICAL DATA

- | | |
|------------------------------|-------------------------|
| 1) MOVING POWER | 2.5 KW |
| 2) LIGHTING | 1.5 KW |
| 3) VOLTAGE | 380/220/110/24 |
| 4) CYCLES | 50-60 |
| 5) NR OF VEHICLES | 6 |
| 6) NR OF SEATS | 24 |
| 7) OCCUPIED AREA | MT' 5 DIAM (17') |
| 8) OPERATION | ELECTROMECHANIC / HYDR. |
| 9) ROTATION SPEED | ADJUSTABLE |
| 10) SUGGESTED ROTATION SPEED | 4.5 RPM |

TECHNICAL DIAGRAM

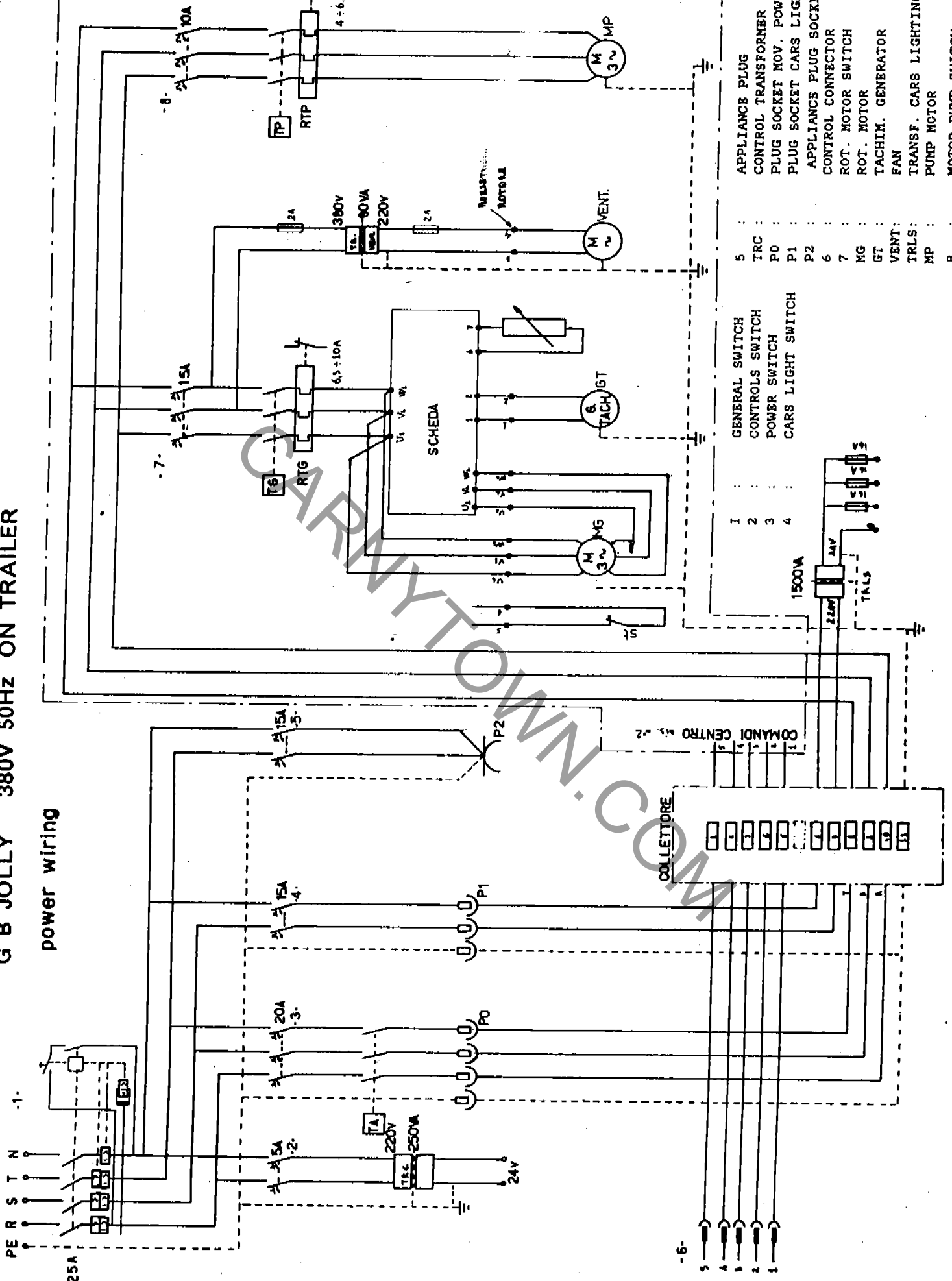
A) ELECTRIC PLAN

B) HYDRAULIC PLAN

CARNYTOWN.COM

G B JOLLY 380V 50Hz ON TRAILER

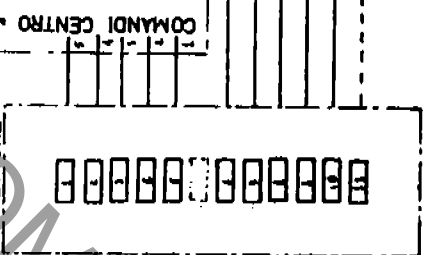
power wiring



- 1 : APPLIANCE PLUG
- 2 : CONTROL TRANSFORMER
- 3 : PLUG SOCKET MOV. POWE
- 4 : PLUG SOCKET CARS LIGH
- 5 : APPLIANCE PLUG SOCKET
- 6 : CONTROL CONNECTOR
- 7 : ROT. MOTOR SWITCH
- 8 : ROT. MOTOR
- 9 : TACHIM. GENERATOR
- 10 : FAN
- 11 : TRANSF. CARS LIGHTING
- 12 : PUMP MOTOR
- 13 : MOTOR PUMP SWITCH

- 1 : GENERAL SWITCH
- 2 : CONTROLS SWITCH
- 3 : POWER SWITCH
- 4 : CARS LIGHT SWITCH
- 5 : TRC
- 6 : TACH/GT
- 7 : MG
- 8 : VENT
- 9 : TRLS
- 10 : MP
- 11 : 8

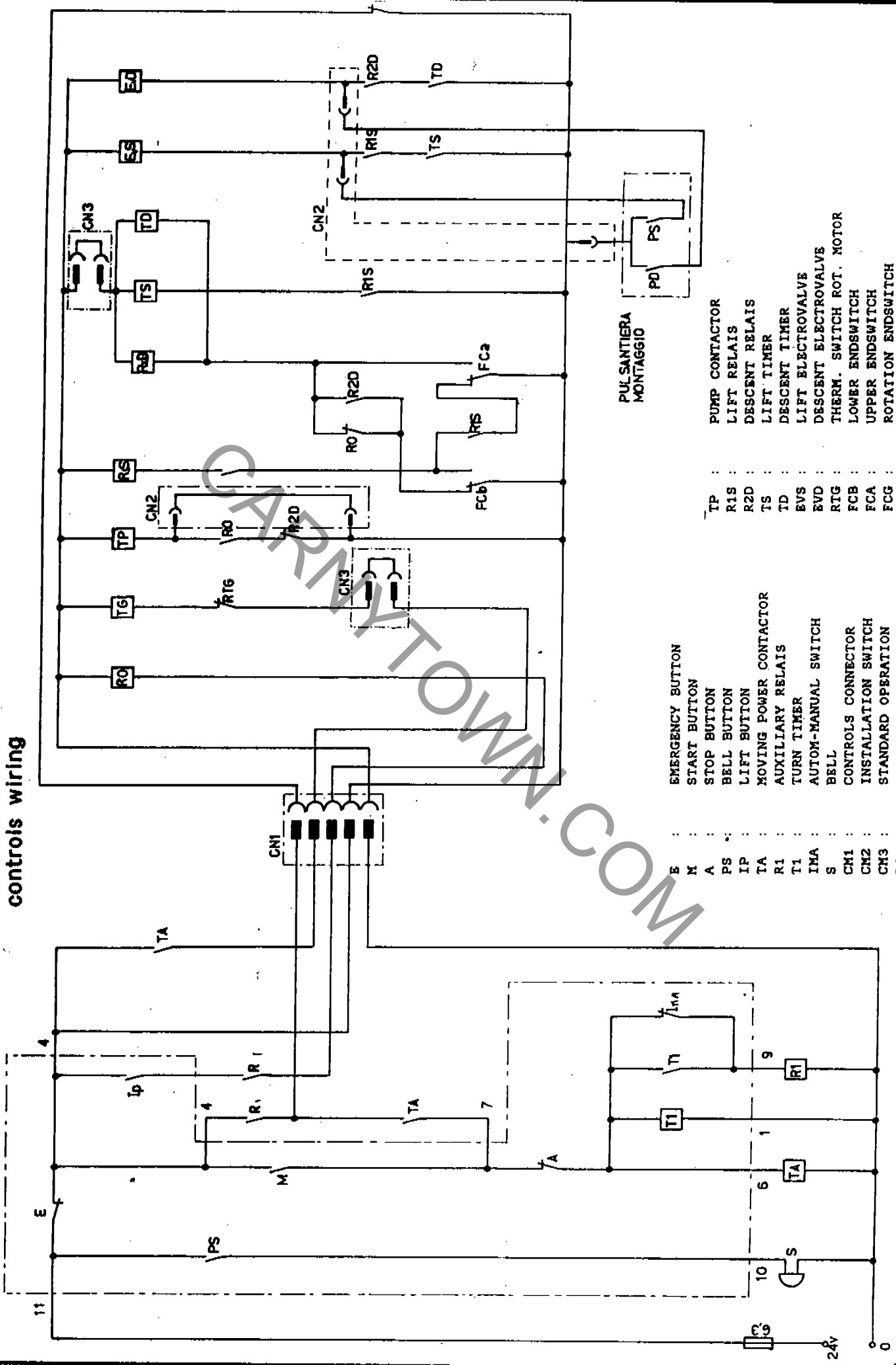
COLLETTORE



-6-

G.B. JOLLY 380V 50Hz ON TRAILER

controls wiring

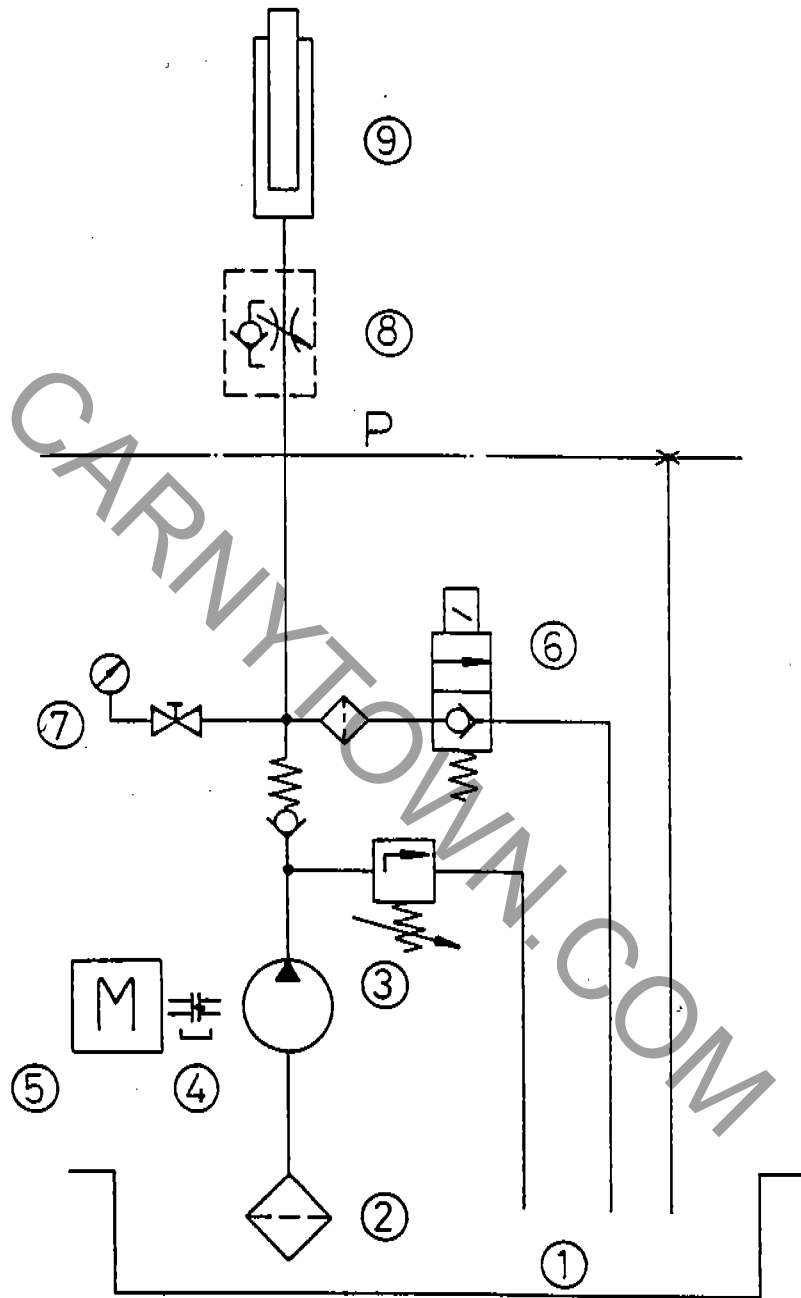


- EMERGENCY BUTTON
- START BUTTON
- STOP BUTTON
- BELL BUTTON
- LIFT BUTTON
- MOVING POWER CONTACTOR
- AUXILIARY RELAYS
- TURN TIMER
- AUTOM-MANUAL SWITCH
- BELL
- CONTROLS CONNECTOR
- INSTALLATION SWITCH
- STANDARD OPERATION
- LIFT AUX. RELAYS
- ROTATION CONTACTOR

- TP
- R1S
- R2D
- TS
- TD
- EVD
- R1G
- FCB
- FCA
- FCG
- PS
- PD

- PUMP CONTACTOR
- LIFT RELAYS
- DESCENT RELAYS
- LIFT TIMER
- DESCENT TIMER
- LIFT ELECTROVALVE
- DESCENT ELECTROVALVE
- THERM. SWITCH ROT. MOTOR
- LOWER ENDSWITCH
- UPPER ENDSWITCH
- ROTATION ENDSWITCH
- LIFT BUTTON
- DESCENT BUTTON

PULSANTIERA MONTAGGIO



- ① Serbatoio olio Lt. 8.
- ② Filtro aspirazione per MC4.
- ③ Gruppo pompa ingranaggi 6cm.³/giro , completo di valvola di max. e valvola di ritegno.
- ④ Kit lanterna e giunto
- ⑤ Motore elettrico HP 2 B14 220/380 V - 50 Hz
- ⑥ Valvola normalmente chiusa SBP 24 C
- ⑦ Manometro MGR 250 + esclusore.
- ⑧ Regolatore unidirezionale 14 DRV-8
- ⑨ Cilindro tuffante Dis. 167.02201

- 1) OIL TANK 8 LT
- 2) FILTER FOR MC4
- 3) PUMP UNIT 6 CM3/ ROUND , COMPLETE WITH VALVES
- 4) KIT COUPLING
- 5) ELECTRIC MOTOR HP 2 B14 220/380 V - 50 HZ
- 6) VALVE SBP 24 C
- 7) MANOMETER MGR 250
- 8) ADJUSTER 14 DRV 8
- 9) CILYNDER DIS, 167.02.2.01

ORDINARY MAINTENANCE

A) DAILY

CHECK THAT ALL SAFETY PINS ARE ON PROPER PLACE

CHECK ALL ELECTRIC CONNECTIONS

CHECK ALL OPERATION BUTTONS / SWITCHES
BEFORE STARTING OPERATION WITH PASSENGERS

B) 15 DAYS MAINTENANCE

GREASE THE MAIN CENTRAL BEARING REF 1 PICTURE 1 PLACED
ON THE BASE OF THE CENTRAL STRUCTURE THROUGH THE PROPER
GREASER REF 2 PICTURE 1
GREASE OUTER TEETH

N.B. FOR GREASING OPERATION PLS USE ONLY GREASE OF TYPE LISTED
ON TABLE 2

C) MONTHLY MAINTENANCE

CHECK WEARING OUT OF COLLECTOR BRUSHES REF 3 PICTURE 2
AND WHERE NECESSARY REPLACE THEM

D) GEARBOX MAINTENANCE

IT'S NECESSARY TO REPLACE OIL ON GEARBOX AFTER FIRST
150/200 OPERATION HOURS AND THAN EVERY 2000 OPERATION HOURS
OR 12 MONTHS , TO FACILITATE ELIMINATION OF IMPURITIES ITS
SUGGESTED TO REPLACE OIL WHEN GEAR BOX IS WARM
ITS SUGGESTED TO CHECK OIL LEVEL AT LEAST ONCE A MONTH

Table I

LUBRIFICANTE LUBRICANT	SCELTA DEL LUDRIFICANTE IN FUNZIONE DELLA TEMPERATURA AMBIENTE LUBRICANT SELECTION ACCORDING TO ENVIROMENTAL TEMPERATURE			
	-20°C / +5°C IV 95 mln	+5°C / +40°C IV 95 mln	+40°C / +65°C IV 95 mln	-30°C / +65°C IV 95 mln
	ISO 3448	VG 100	VG 150	VG 320
AGIP	Blaela 100	Blaela 150	Blaela 320	Blaela S 220
ARAL	Degol B0 100	Degol B0 150	Degol B0 320	Degol GS 220
BP MACH	GR XP 100	GR XP 150	GR XP 320	SGR XP 220
CASTROL	Alpha SP 100	Alpha SP 150	Alpha 320	Alpha SH 0
CHEVRON	non leaded gear compound 100	non leaded gear compound 150	non leaded gear compound 320	
ESSO	Spartan EP 100	Spartan EP 150	Spartan EP 320	Compressor oil LG 150
GULF		EP lubricant HD150	EP lubricant HD 320	
I.P.	Mellana 100	Mellana 150	Mellana 320	Telesia Oil 150
MOBIL		Mobilgear 020	Mobilgear 032	Gilgoye 22 Glygoye 30 SHC 630
SHELL	Omala oil 100	Omala oil 150	Omala oil 320	
TOTAL	Carter EP 100	Carter EP 150	Carter EP 320 N	
KLUEBER	Lamora 100	Lamora 150	Lamora 320	Syntheseo D220 EP
ELF	Reductel SP 100	Reductel SP 150	Reductel SP 320	Elf ORTIS 125 MS Elf Synthema P 30

Table I

AGIP	•	GR MU EP2
	▲	FIN 360EP/F
ARAL	•	ARALUB HLP 2
	▲	ARALUB LFZ 1
BP	•	ENERGREASE LS-EP 2
	▲	ENERGOL WRL
CASTROL	•	SPHEEROL EPL 2
	▲	GRIPPA 33 S
ELF	•	EPEXA 2
	▲	CARDREXA DC 1
ESSO	•	BEACON EP 2
	▲	SERETT FLUID 4 K
MOBIL	•	MOBILUX EP 2
	▲	MOBILTAC 81
SHELL	•	CAUTHIA EP Felt T 2
	▲	CARDIUM Fluid C
TEXACO	•	MULTIFAK EP 2
	▲	CRATER 2 X Fluid

O P E R A T I O N

AFTER SWITCHING ON GENERAL SWITCHES REF 4 PICTURE 3 TO
START THE RIDE ITS ENOUGH TO PUSH THE START BUTTON REF 5
PICTURE 4

TO STOP THE RIDE PRESS BUTTON STOP REF 6 PICTURE 4

THIS RIDE IS SUPPLIED WITH TIMER FOR AUTOMATIC STOP AFTER
SELECTED TIME HAS EXPIRED , REF 7 PICTURE 4

YOU CAN EXCLUDE TIMER THROUGH SWITCH REF 8 PICTURE 4

THE RIDE IS ALSO SUPPLIED WITH A BELL IN ORDER TO ADVISE
PASSENGER ABOUT ENDING OF A RIDE AND STARTING OF A NEW ONE
REF 9 PICTURE 4

AN EMERGENCY BUTTON , REF 10 PICTURE 4 , WILL STOP THE RIDE
AND SWITCH OFF ELECTRIC APPLIANCES ONCE PRESSED.

TO RESTART OPERATION ITS NECESSARY TO ROTATE EMERGENCY BUTTON
ANTI CLOCK WISE

ROTATION SPEED CAN BE ADJUSTED THROUGH SPEED ADJUSTER ON ELECTRONIC
BOX , REF 12 PICTURE 5, SITUATED ON THE CENTRAL SECTION OF THE
RIDE .

FOR LONGLIFE OPERATION AND SAFETY ITS SUGGESTED TO OPERATE THE
RIDE AT 4.5 RPM

IT IS ALSO POSSIBLE TO EXCLUDE UP-DOWN MOVEMENT THROUGH SWITCH/
SELECTOR 11 (pic. 4)

WHAT TO DO IF

- 1) OPERATION CONTROLS DONT OPERATE (START-STOP-ETC)
CHECK FUSES INSIDE CONTROL BOARD , REF 13 PICTURE 3

- 2) LIGHTS AND HORN OF ONE CAR DONT OPERATE
CHECK FUSE INSIDE CAR
CHECK CONTACT BRUSHES UNDER THE CAR

SHOULD ANY MALFUNCTION ARISE THAT YOU ARE NOT ABLE TO SOLVE
PLS IMMEDIATELY CONTACT OUR COMPANY GIVING MOST POSSIBLE DETAILS
ON MALFUNCTION

CARINYTOWN.COM

S A F E T Y N O T E S

- A) SET UP / DISMANTLING
must be carried out exclusively by skilled personnel.
- B) ELECTRIC SYSTEM
Any connection / disconnection on electric system must be made after the general switch has been disconnected and only by authorized personnel.
- C) MECHANICAL PARTS
All the specifications for the use and maintenance of the ride (listed in this manual) must be strictly observed.
- D) OPERATION
Before starting operation with passengers, it is always advisable to let the ride operate for few minutes empty in order to check the proper function of all parts and to allow the oil to warm up.

This ride has been designed for kids from 4 to 10 years old.
This ride is not suggested for handicapped kids.

In case of danger immediately push the emergency button.

While operating this ride, you have to conform to all safety regulations in force in the country where this machine will be used.

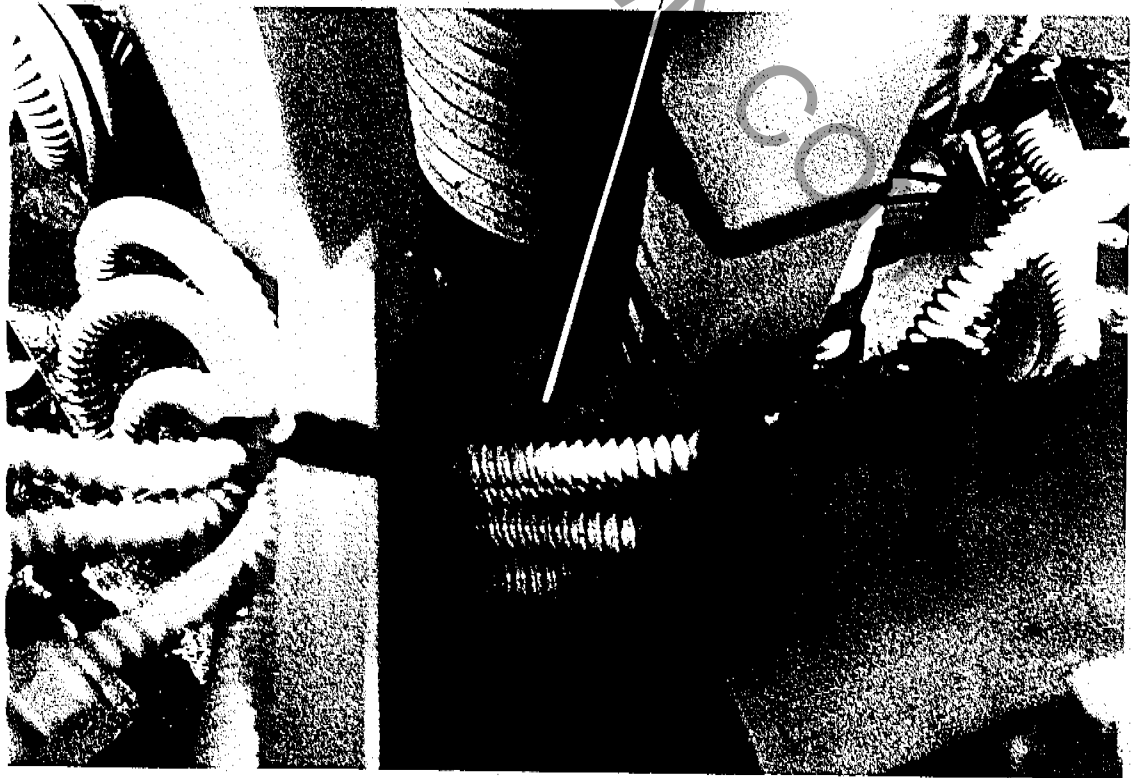
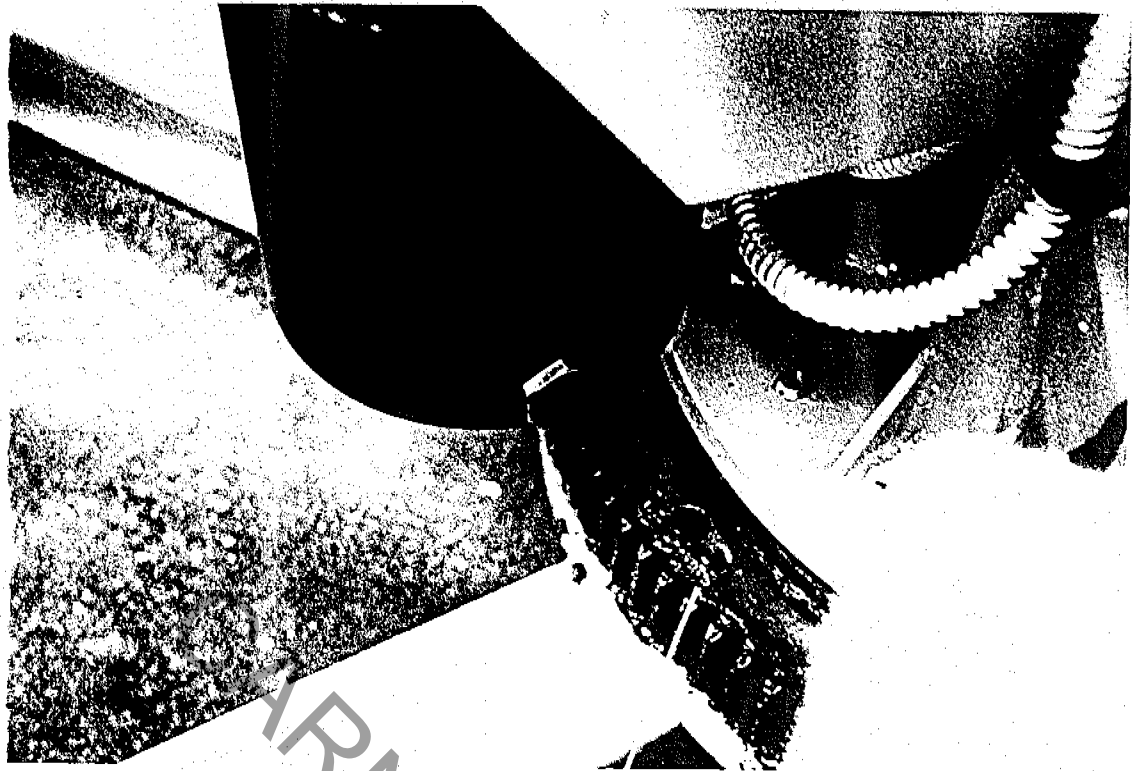


Fig. 1



Fig. 2

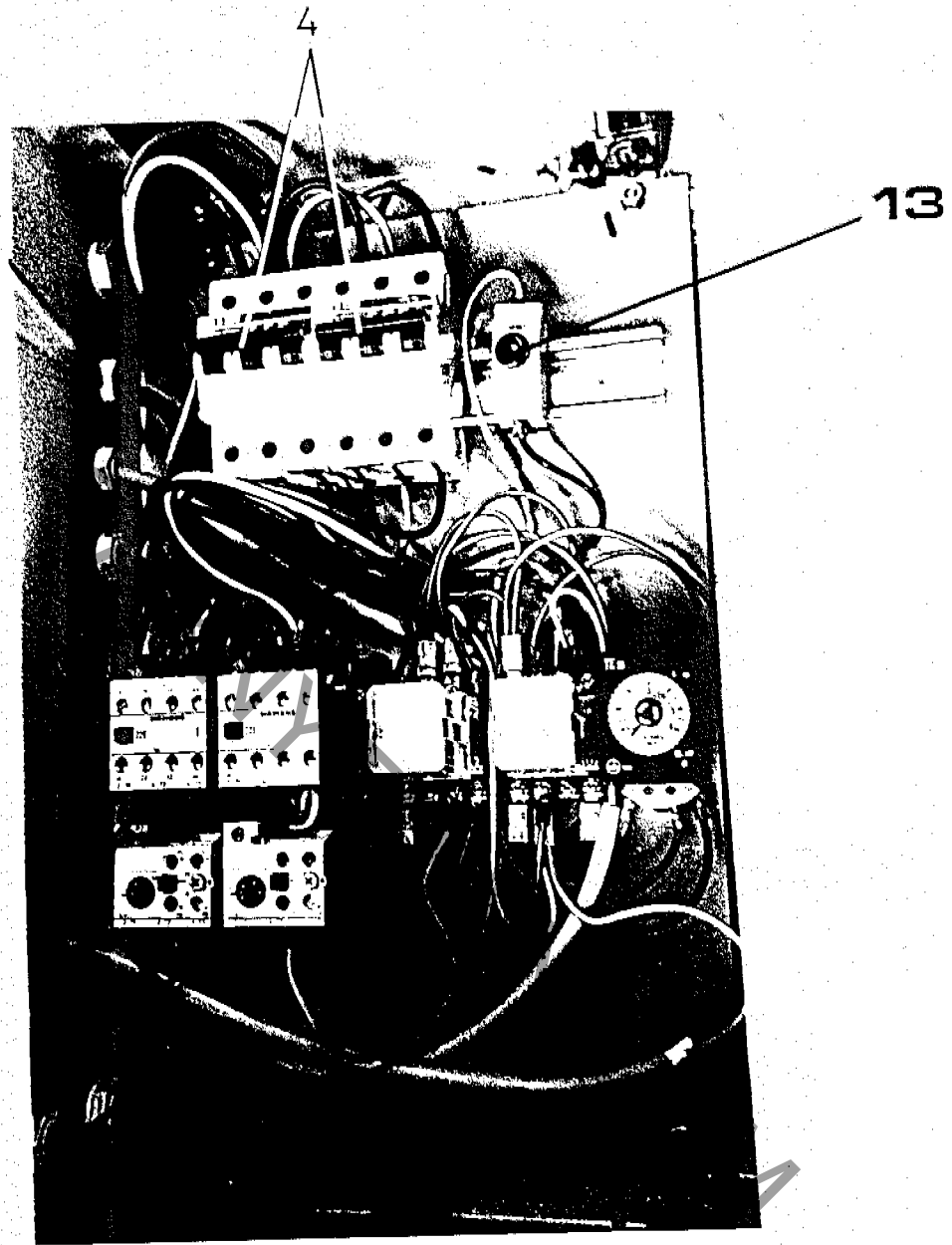


Fig. 3

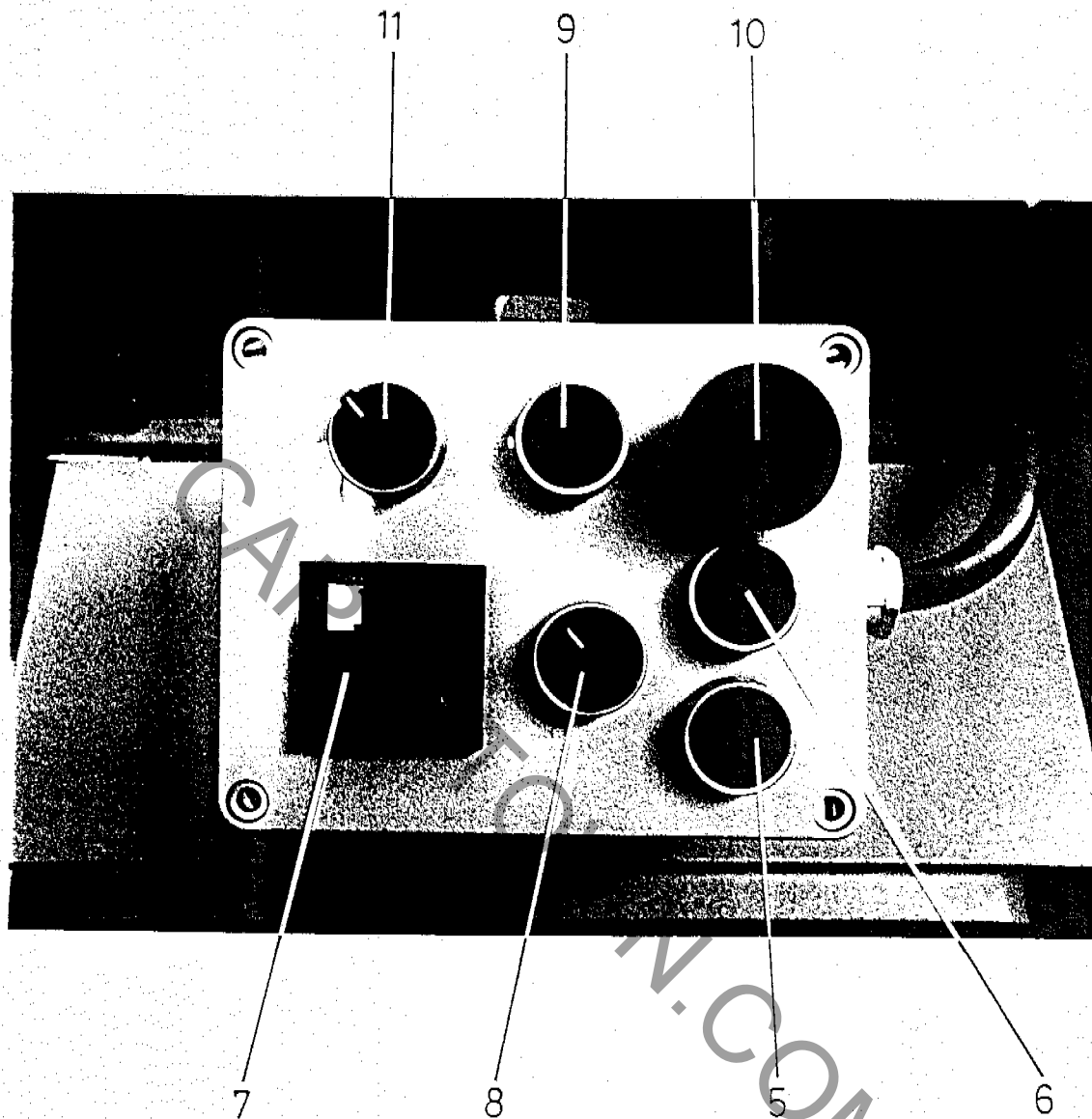
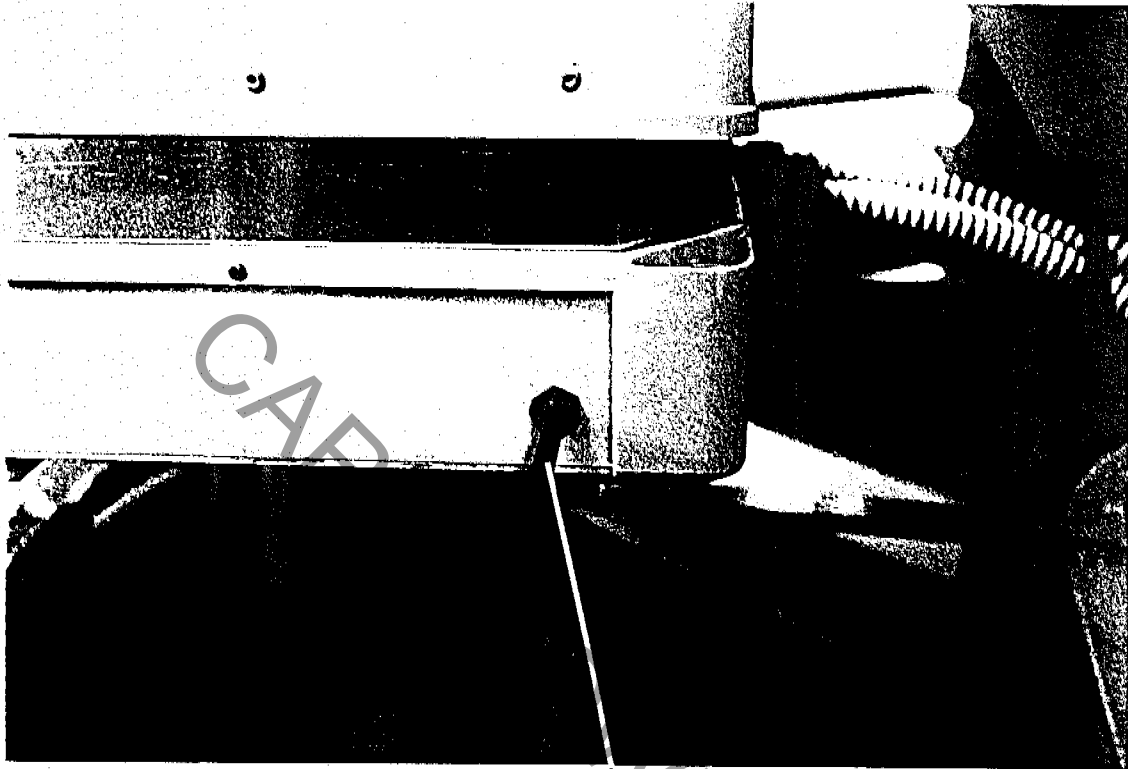


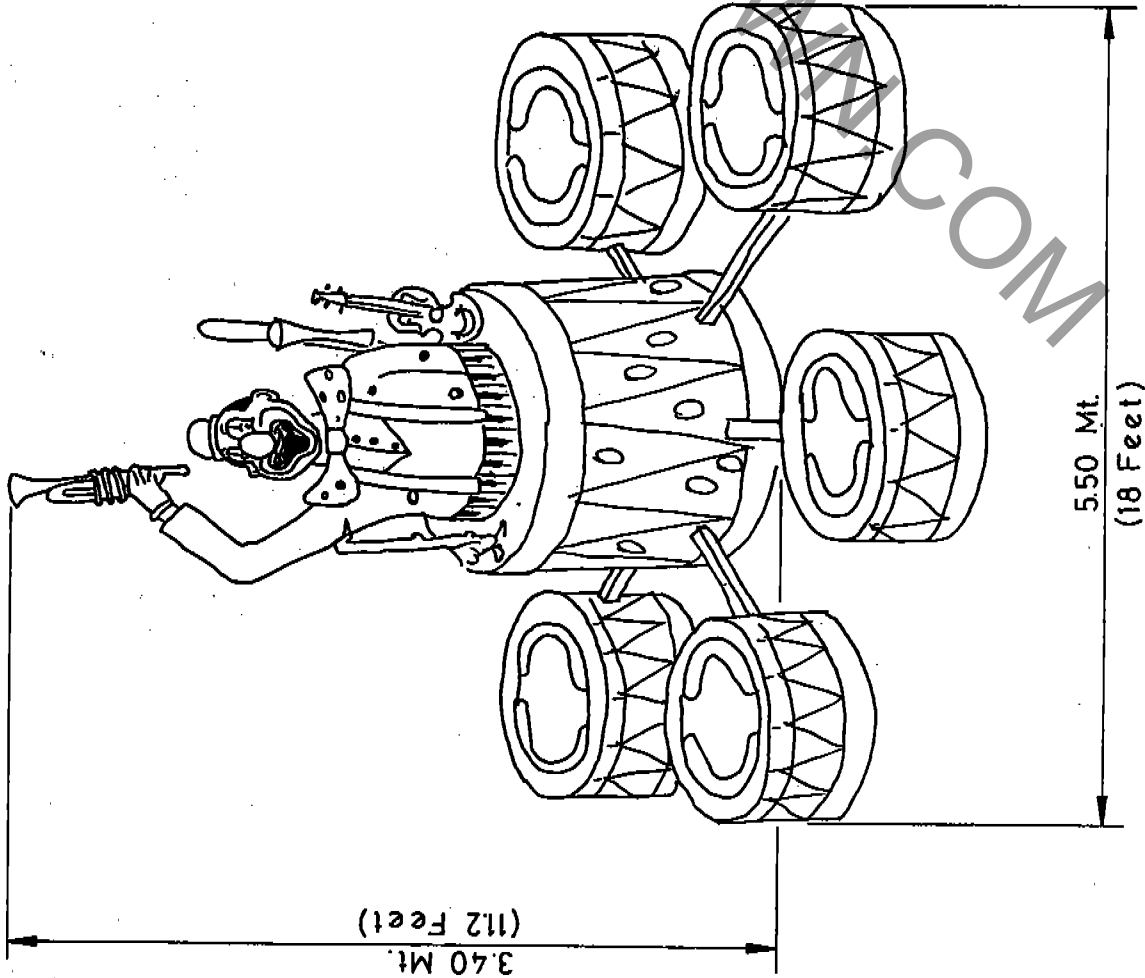
Fig. 4



12

Fig. 5

Mod. 167/4 "DRUMS"



Diametro base
Base diameter
Diametre base

Mt. 5.50
Feet 18

Veicoli
Vehicles

6

Posti
Seating
Places

24

Imbarco
Loading
Chargement

Simultaneo
Simultaneously
Simultane

Capacità oraria
Hourly capacity
Capacite horaire

500 pers.

Comando
Operation
Functionnement

Automatico e manuale a velocità regolabile
Automatic and manual with adjustable speed
Automatique et manuel a vitesse variable

Illuminazione
Lighting
Lumiere

Kw 3 - 110/220 Volts - 50/60 Hz

Forza motrice
Motive power
Force motrice

Kw 2,5 - 220/380/415 Volts - 50/60 Hz

Movimenti
Movements
Mouvements

Rotazione + sollevamento idraulico + rotazione tamburi
Rotation + up-down (hydraulic) + Drums rotation
Rotation + montee-descente hydraulique + rotation tam-

Peso
Weight
Poids

Kg. 1300

Cubaggio
Cubage

1 x 20' container

S.B.F. di FRISON ITALO s.a.s.

35040 Casale di Scodosia (PD)
Via IV Novembre, 18 - Tel. 0429/879104
Fax 0429/878287