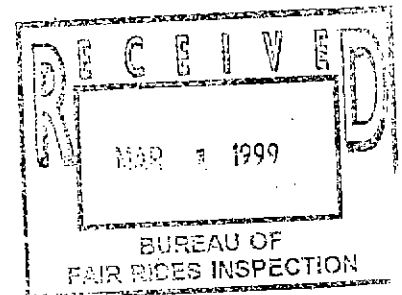


Royal Rides, Inc.
"Royal Express"
???

"Royal Express" Operations & Maintenance

Royal Rides, Inc.
P.O. Box 1665
Front Royal, VA 22630
(540)635-6367 * FAX (540)635-6288

*MIKE
Riwehart.*



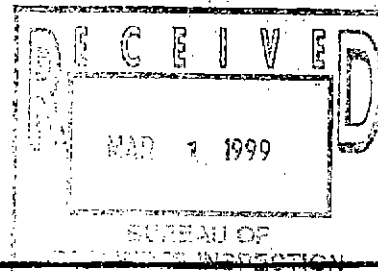
ROYAL RIDES

OPERATING INSTRUCTIONS*

1. Be sure the operator is instructed regarding operation of the unit before operating begins.
2. Instruct all riders to keep hands and legs inside - No standing up, etc.
3. Avoid excessive speed on all terrain.
4. No "zig-zagging" train or excessive weaving, etc.
5. OPERATE RIDE ON LEVEL GRADE ONLY.
6. Slow train down before going into turns. Stop train in a straight line for loading and unloading.
7. Avoid large ditches, holes, etc., which could unbalance train.
8. Distribute weight of adults and children evenly.
9. Any rider acting in a rowdy or dangerous fashion should be dismissed from the ride immediately.
10. Keep riders and observers away from engine. Turn off the engine during breaks.
11. Check all seat belts before departing.

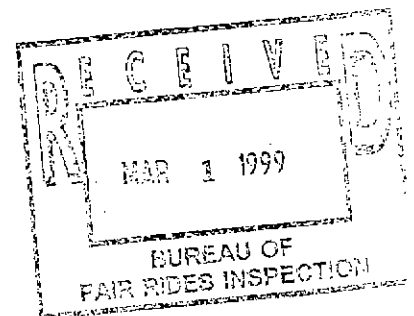
REMEMBER - SAFETY FIRST and HAVE FUN!

*Refer to operator's manual regarding tractor operation and maintenance.

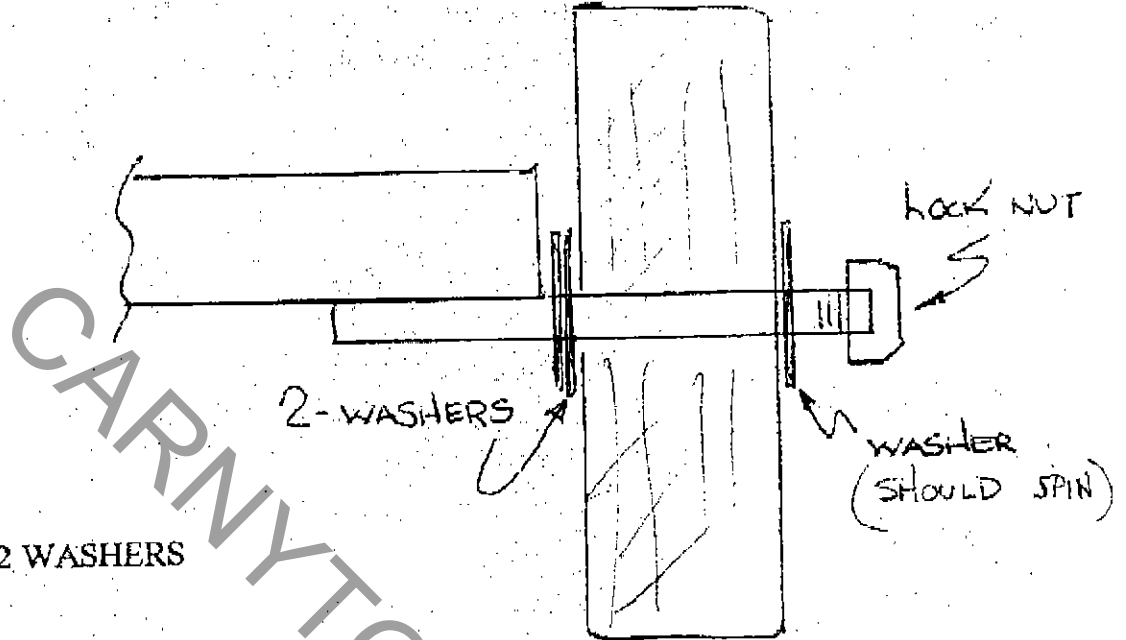


CARE OF TRAIN

1. REFER TO OWNER'S MANUAL FOR TRACTOR MAINTENANCE.
2. KEEP ALL NUTS AND BOLTS TIGHTENED REGULARLY.
3. TRAIN MAY BE WASHED WITH MILD SOAPY WATER. NO HARD SCRUBBING ON PAINTED STRIPES AND LOGOS
4. BOAT COMPANIES SELL EXCELLENT SPRAY WAXES ESPECIALLY FOR FIBERGLASS. CHECK LOCAL STORES OR AUTO PARTS.
5. GEL COAT COLORS ARE AVAILABLE UPON REQUEST TO REPAIR HEAVY SCRATCHES OR DAMAGED AREAS.



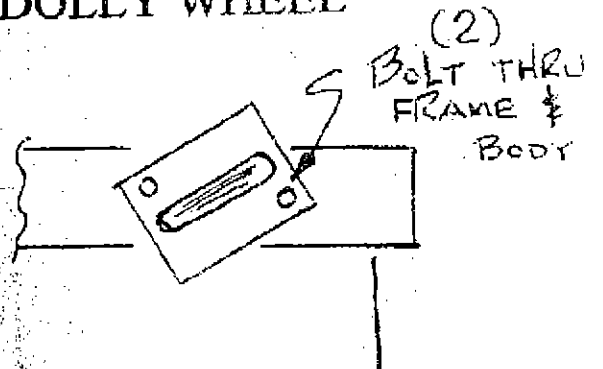
WHEEL ASSEMBLY



1. PLACE 2 WASHERS ON AXLE
2. INSTALL WHEEL
3. PLACE ON THIRD WASHER
4. TIGHTEN LOCK NUT (NOT TOO TIGHT)

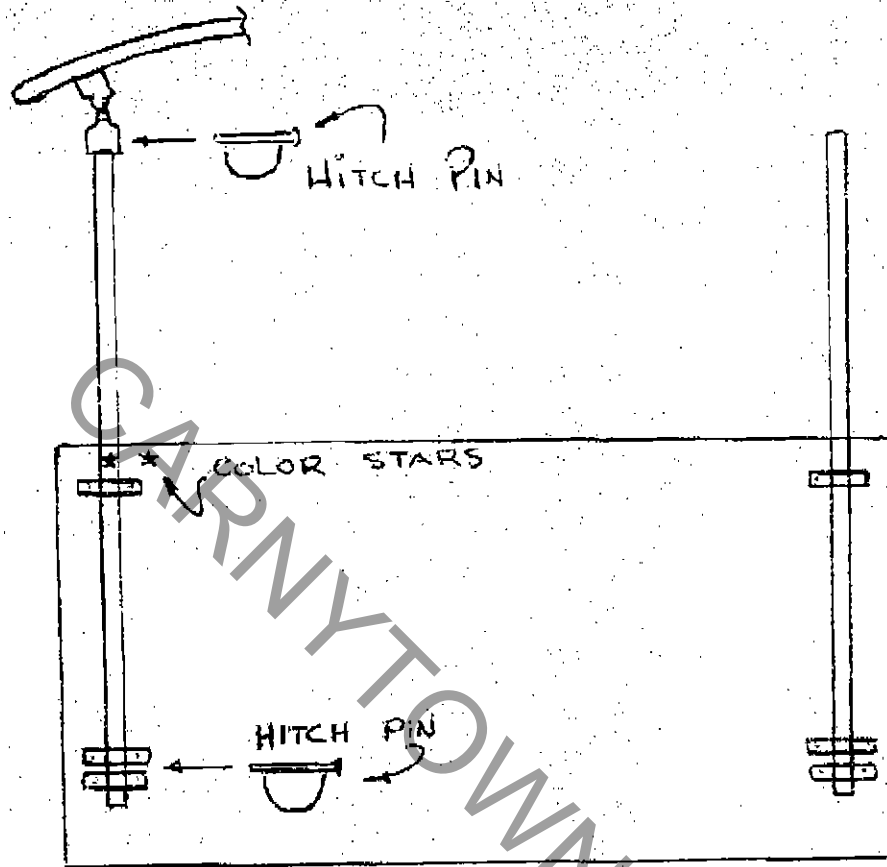
CARNYTOWN.COM

REAR DOLLY WHEEL



MAR 1 1999
CARNY TOWN

TOP INSTALLATION



1. INSTALL POLES ON CAR (MATCH COLORED STARS)
2. INSTALL LOWER HITCH PINS BETWEEN BLACK BRACKETS
3. SET TOPS ON, SECURE WITH HITCH PINS

RECEIVED
MAR 1 1999
BUREAU OF
FAIR TRADE INSPECTION