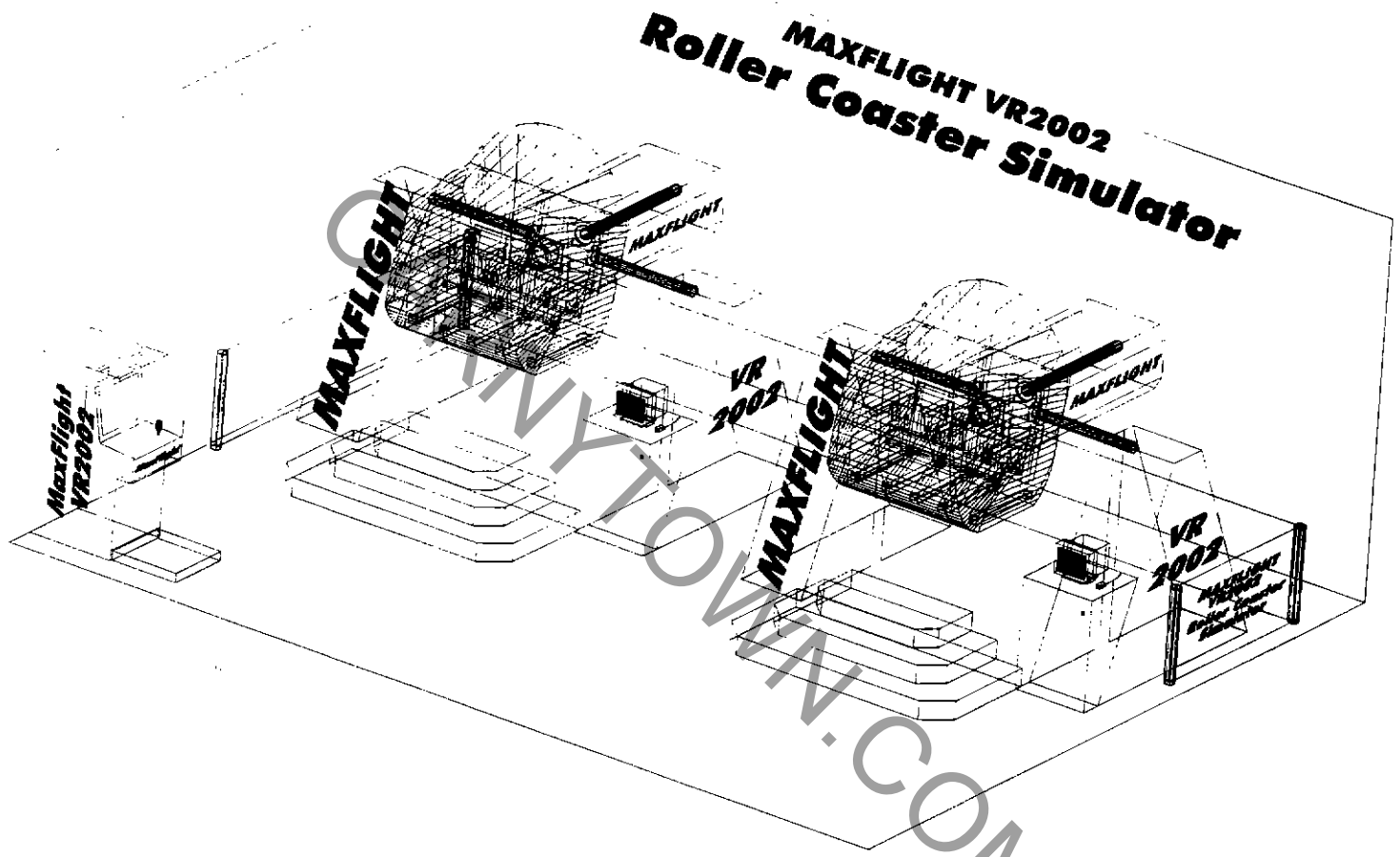


Interactive Ride System VR2002 Roller Coaster



SPECIFICATIONS

Game Specifications

Model	MaxFlight VR2002
Description	Full 2-axis 360-degree motion base simulator
Number of Adventures	Unlimited
Play Description	Customer programmable Roller Coaster system
Plays Per Hour	Based on number of customer selected tracks
Cycle Time Per Play	One minute
Passengers Per Machine	Two
Proprietary Hardware	Yes
Platform	Intel compatible PC
Proprietary Software	Yes
Display System	Projected Image, 58 inch diagonal (147.32 cm)

Operator Requirements	One operator for each two units
On-Site Technician Required	No
Remote Diagnostics/Support	Provided via Network/Modem

Physical/Electrical Specifications

Height Requirements	12 feet, 8 inches (3.86 meters)
Width	12 feet, 7 inches (3.81 meters)
Length (Depth)	15 feet (4.57 meters)
Floor Area	190 square feet (17.65 square meters)
Static Floor Loading	52 pounds/square foot (262.6 kg/square meter)
Contact Feet	(4) 8 inches x 16 inches (20.32 cm x 40.64 cm) (2) 4 inches x 14 inches (10.16 cm x 25.58 cm)
Weight	4,000 pounds (1818.2 kg) approx.
Electrical Requirements (North America)	230-volt 3-phase 60 Hz, 20 Amps (dedicated)
Electrical Requirements (Outside North America)	110-volt 1-phase 60 Hz, 20 Amps (dedicated) Available upon request

Number of Crates	7
Shipping Weight	4,000 pounds (1818.2 kg) excluding export crates
Cubic Volume	650 cubic feet (18.41 cubic meters) approx.

SPECIFICATIONS

**MAXFLIGHT CORPORATION
26 GLADNEY AVENUE
BAYVILLE, NEW JERSEY 08721**

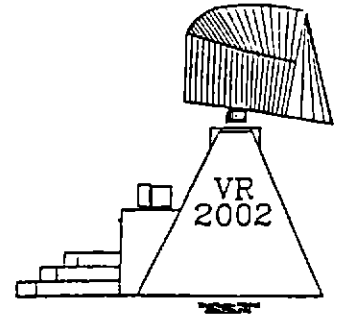
1.800.563.1880

908.240.6200

FAX 908.240.4625

E-MAIL info@maxflight.com

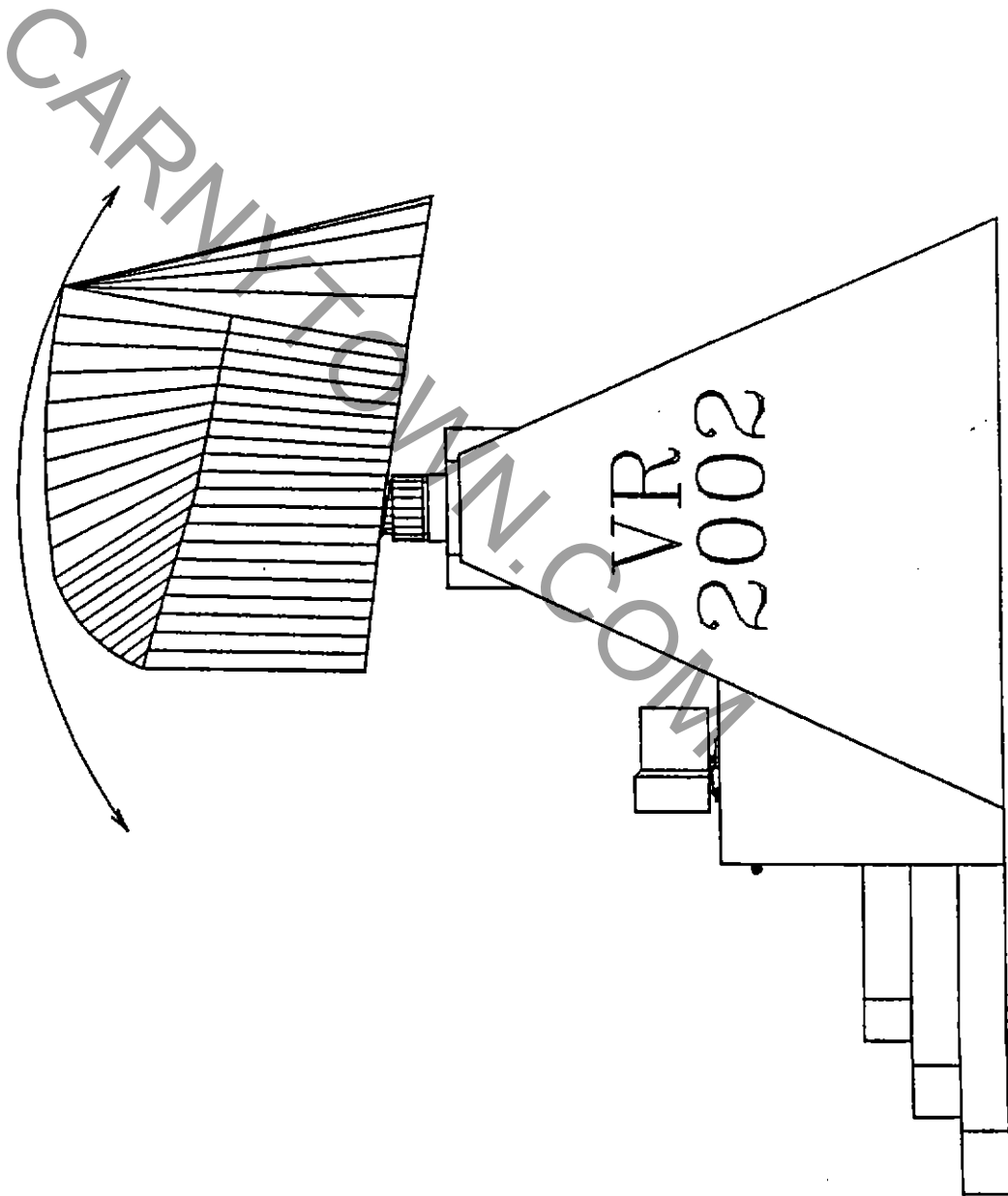
WORLD WIDE WEB: <http://www.maxflight.com>



Technology Brand Name	MaxFlight VR2002
<u>Technology Description</u>	
Full 2 axis 360 degree motion base simulator	
Number of Available Adventures	Unlimited
<u>Play Description</u>	
Customer Programmable Roller Coaster System (Customer creates own ride.)	
Number of Plays per Hour	Depends on number of tracks selected.
Cycle Time per Play	One minute
Number of Players per Machine	Two
Proprietary Hardware	Yes
Platform	PC
Proprietary Software	Yes
Height Requirements	12 Feet 8 Inches
Width	12 Feet 7 Inches
Length	15 Feet
Square Feet	190 Sq. Ft
Dynamic Loading	Refer to Attached Drawing
Total Floor Loading	52 lbs./Sq. Ft.

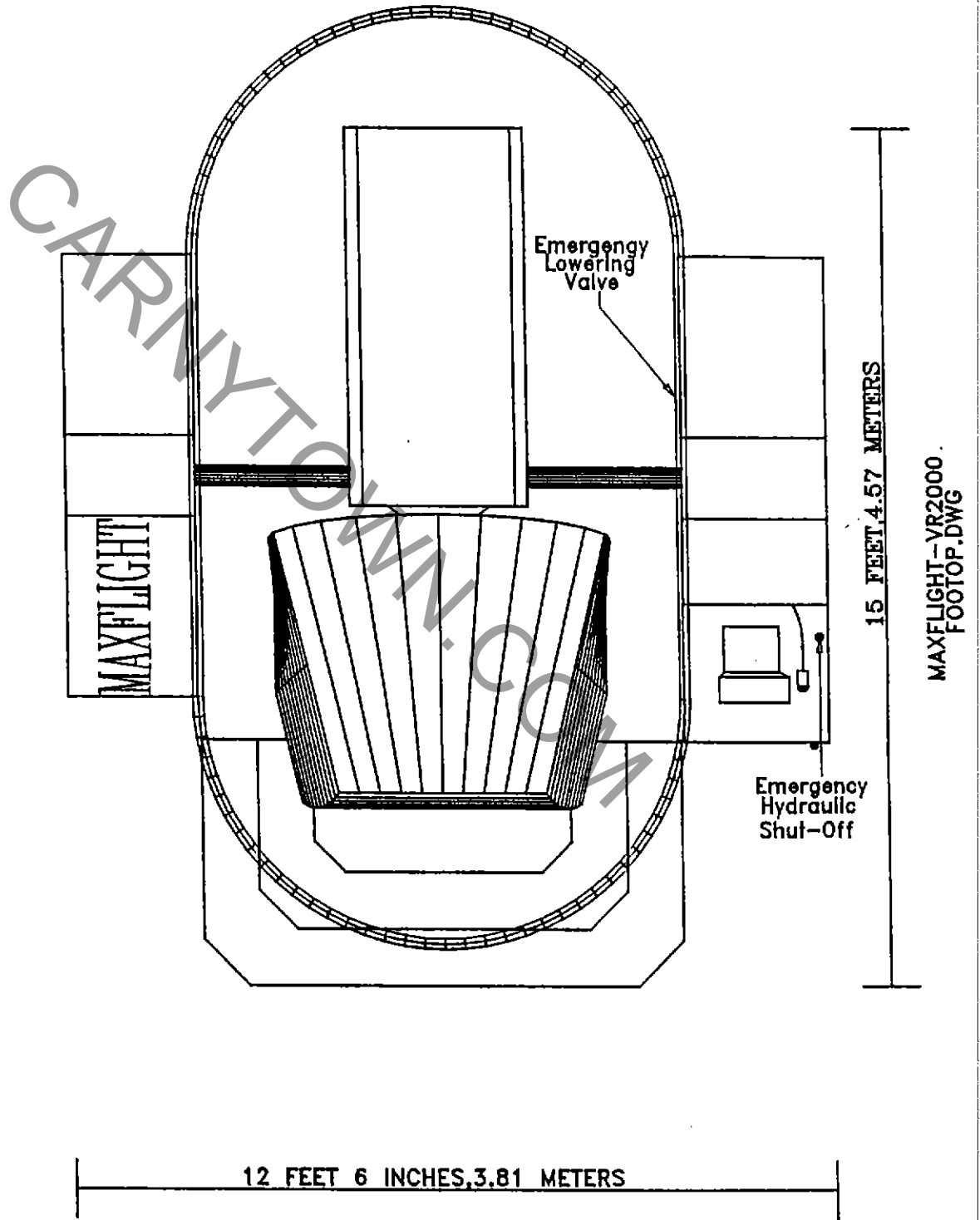
Four (4) Contact Feet	8" x 16" each
Two (2) Contact Feet	4" x 14" each
Unit Weight	4,000 Pounds (Approx)
Voltage/Phases/Hertz	1 X 230V/3Ph/60Hz, 30 Amps (Dedicated) 1 X 110V/1Ph/60Hz, 20 Amps (Dedicated)
Foreign Electrical Specifications	Available on request
Designated Employees for Each Unit	One for each 2 units
On-Site Technician Required	No
Networkable	Not applicable
Special Shipping Requirements	No
<u>Shipping Information (approx.)</u>	
1. Number of shipping crates	7
2. Shipping weight	4,000 lbs Not including export boxing.
3. Cubic Volume	480 Cubic feet. (Approx.)

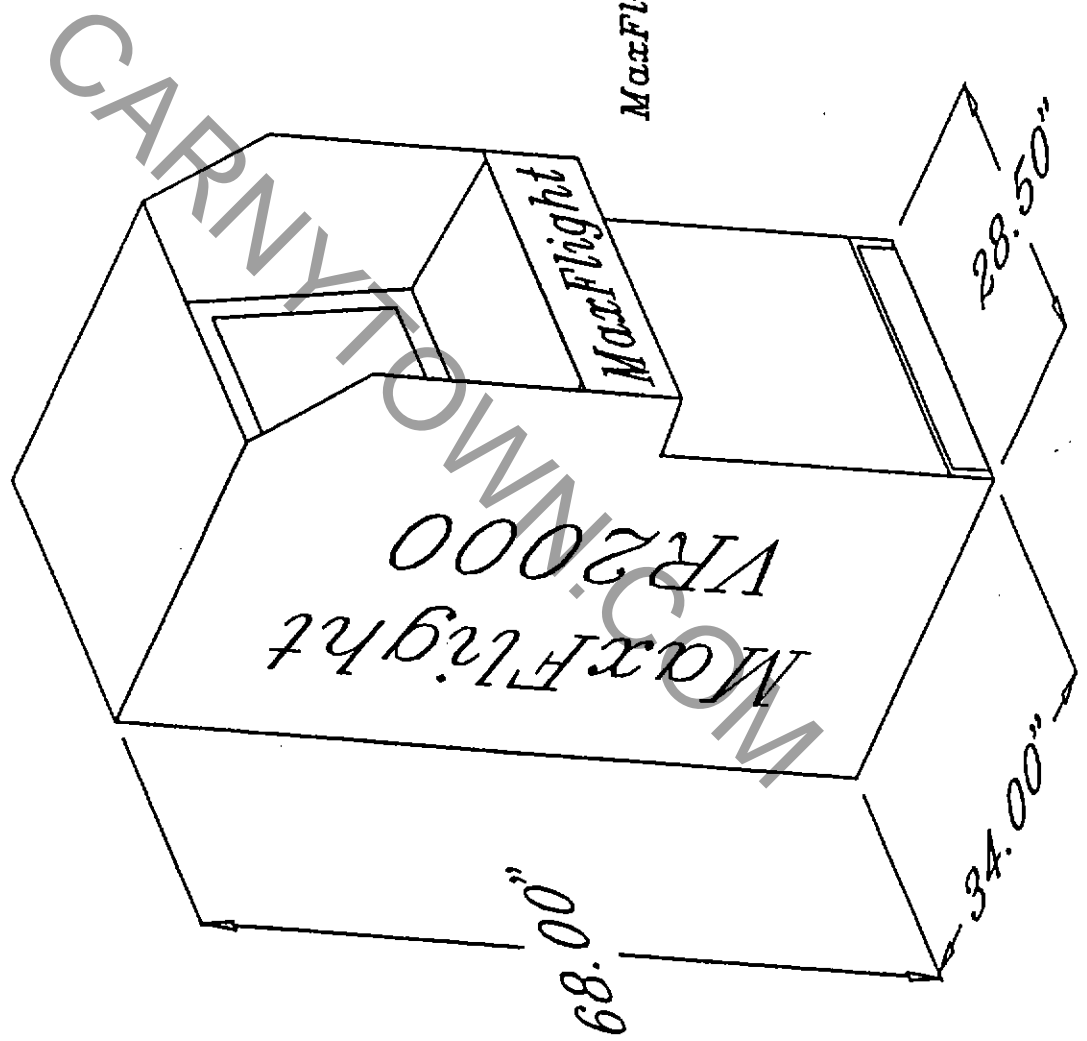
12 FEET 8 INCHES, 3.86 METERS



MaxFlight-VR2002
2SEATSD.DWG

WARNING! Do Not Enter This Area While Hydraulics Are Running.





MaxFlight Stand-up Unit
A28-001.DWG

SPECIFICATIONS

**MAXFLIGHT CORPORATION
26 GLADNEY AVENUE
BAYVILLE, NEW JERSEY 08721**

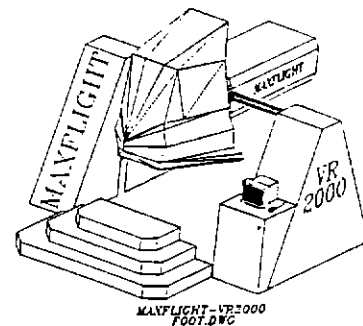
1.800.563.1880

908.240.6200

FAX 908.240.4625

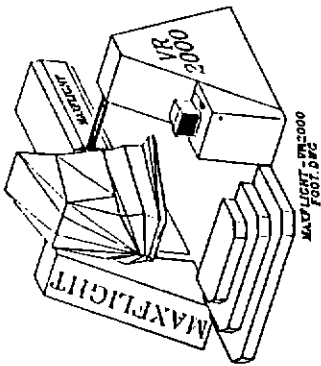
E-MAIL info@maxflight.com

WORLD WIDE WEB: <http://www.maxflight.com>



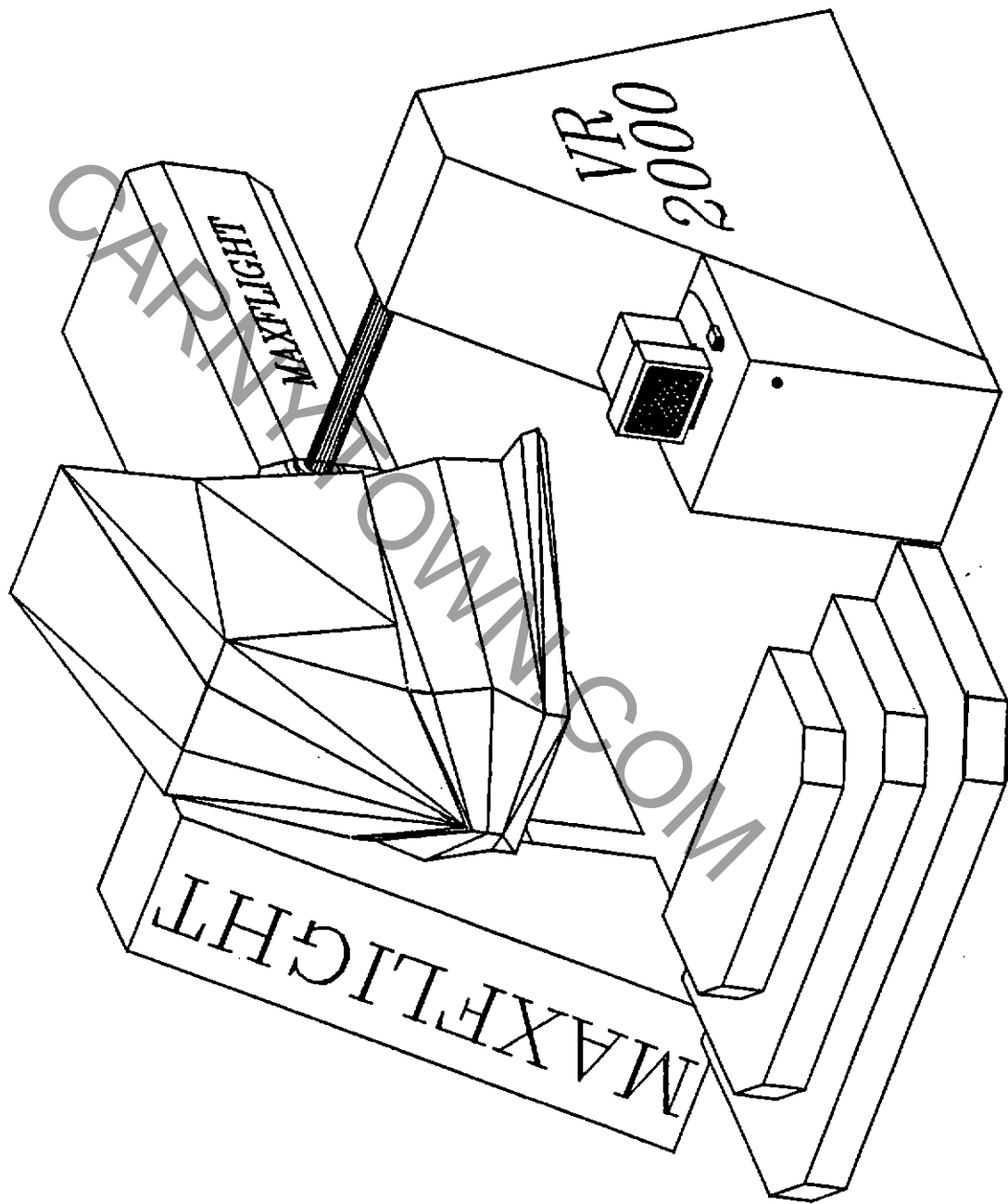
Technology Brand Name	MaxFlight VR2000
<u>Technology Description</u>	
Full 2 axis 360 degree motion base simulator	
Number of Available Adventures	Unlimited
<u>Play Description</u>	
Interactive, competitive combat dog fight game networked between up to ten cockpits.	
Number of Plays per Hour	Depends on time selected by player
Cycle Time per Play	One minute
Number of Players per Machine	One
Proprietary Hardware	Yes
Platform	PC (IG)
Proprietary Software	Yes
Height Requirements	12 Feet 8 Inches
Width	12 Feet 7 Inches
Length	15 Feet
Square Feet	190 Sq. Ft
Dynamic Loading	Refer to Attached Drawing
Total Floor Loading	49 lbs./Sq. Ft.

Four (4) Contact Feet	8" x 16" each
Two (2) Contact Feet	4" x 14" each
Unit Weight	3,500 Pounds (Approx)
Voltage/Phases/Hertz	1 X 230V/3Ph/60Hz, 30 Amps (Dedicated) 1 X 110V/1Ph/60Hz, 20 Amps (Dedicated)
Foreign Electrical Specifications	Available on request
Designated Employees for Each Unit	One for each 2 to 3 units
On-Site Technician Required	No
Networkable	Yes, 10 cockpits
Special Shipping Requirements	No
<u>Shipping Information (approx.)</u>	
1. Number of shipping crates	6
2. Shipping weight	3,700 lbs Not including export boxing.
3. Cubic Volume	420 Cubic feet. (Approx.)

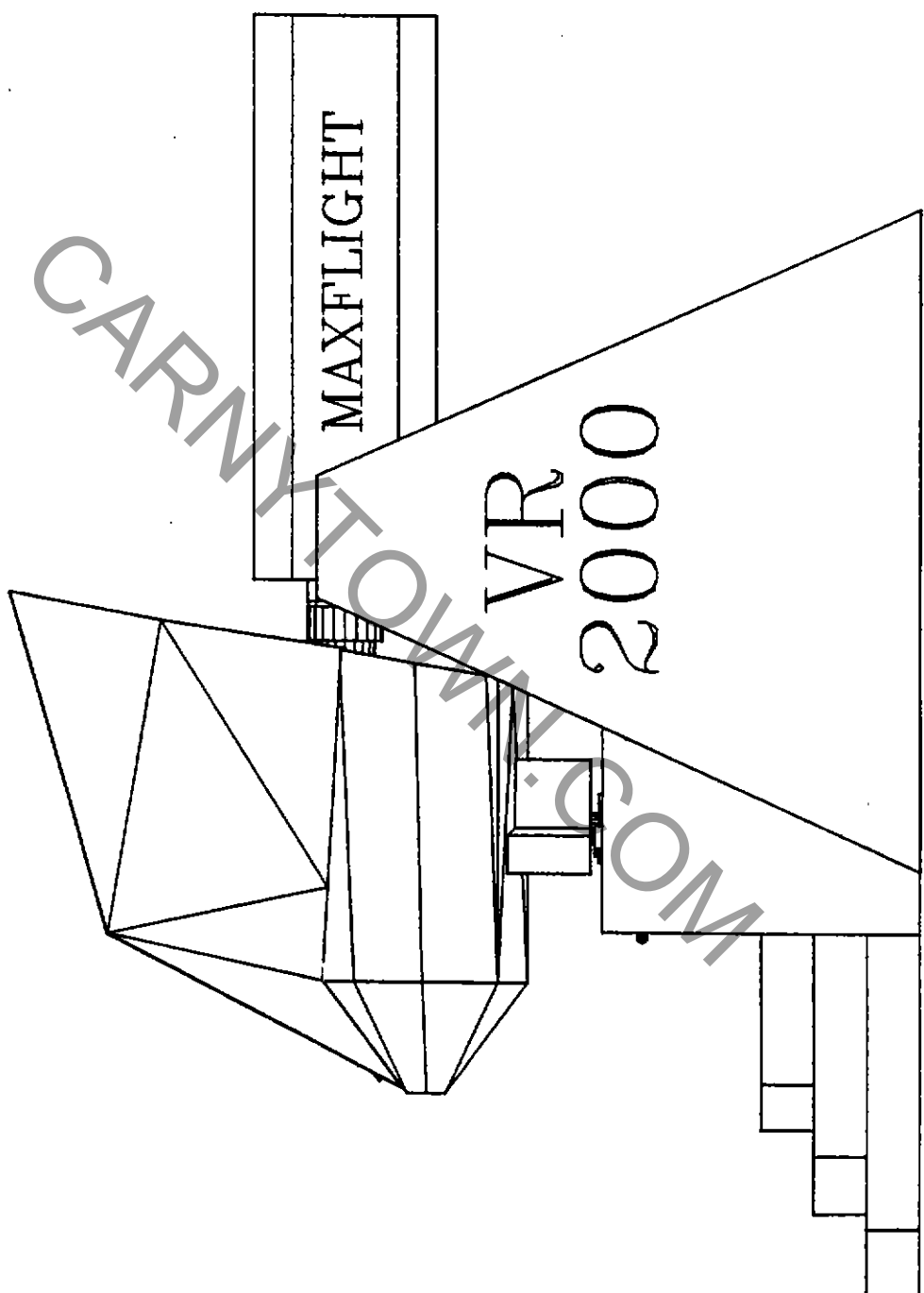


MAXFLIGHT
VR2000
FLIGHT SIMULATOR
ANNUAL UTILIZATION AND REVENUE FORECAST

	NUMBER OF DAYS	ACTIVE HOURS PER DAY	ANNUAL REVENUE HOURS
REGULAR WEEK DAYS	136	1	136
REGULAR WEEKEND DAYS	104	5	520
HOLIDAYS	30	5	150
SUMMER VACATION DAYS	90	5	450
TOTAL HOURS PER YEAR			1256
TOTAL REVENUE MINUTES			75360
PROJECTED REVENUE FOR 2 FULL MOTION BASES			
		ANNUAL	
	PER MINUTE CHARGE	GROSS REVENUE	
	\$1.50	\$226,080	
	\$1.75	\$263,760	
	\$2.00	\$301,440	
*stand-up unit not represented			

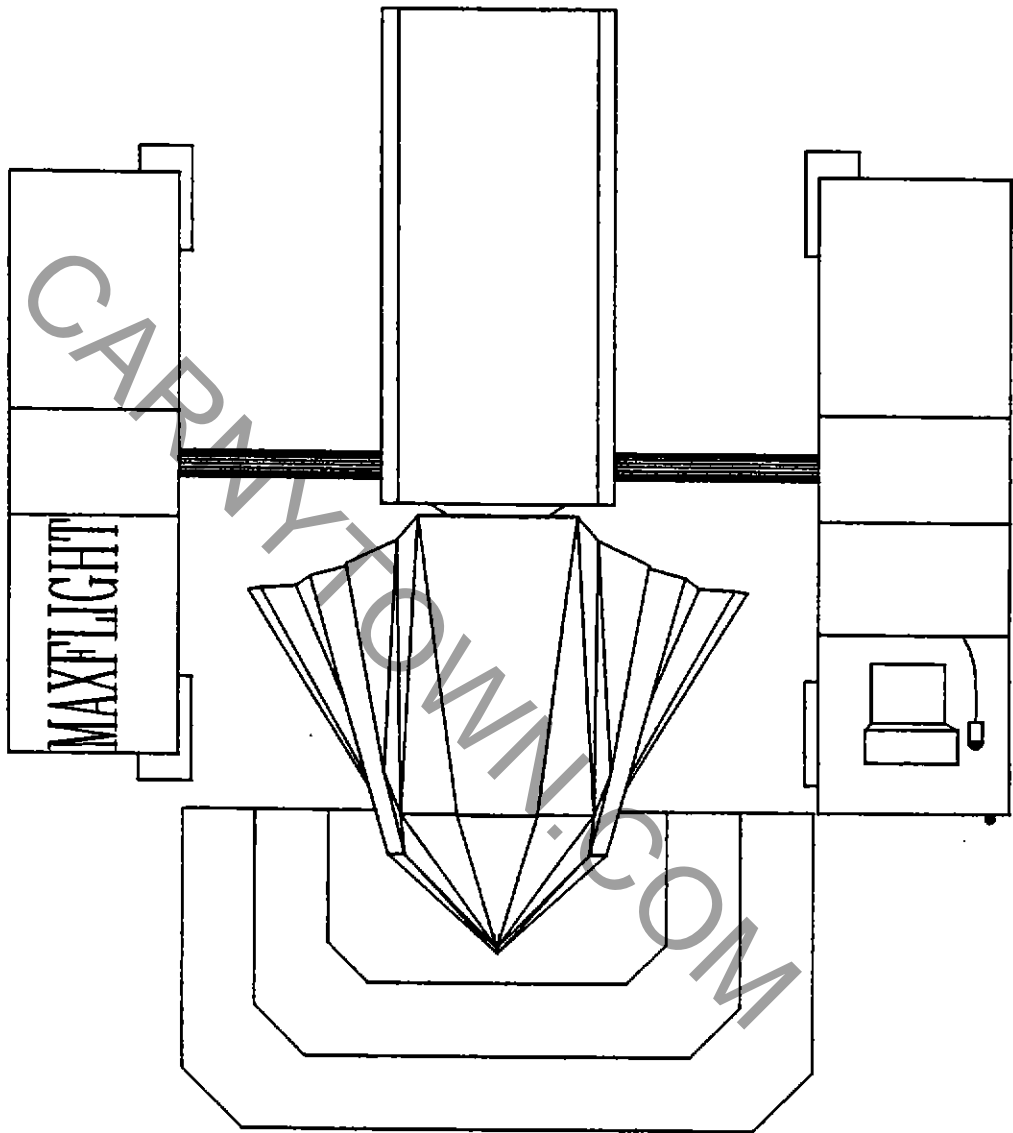


MAXFLIGHT-VR2000
FOOT.DWG



15 FEET, 4.57 METERS

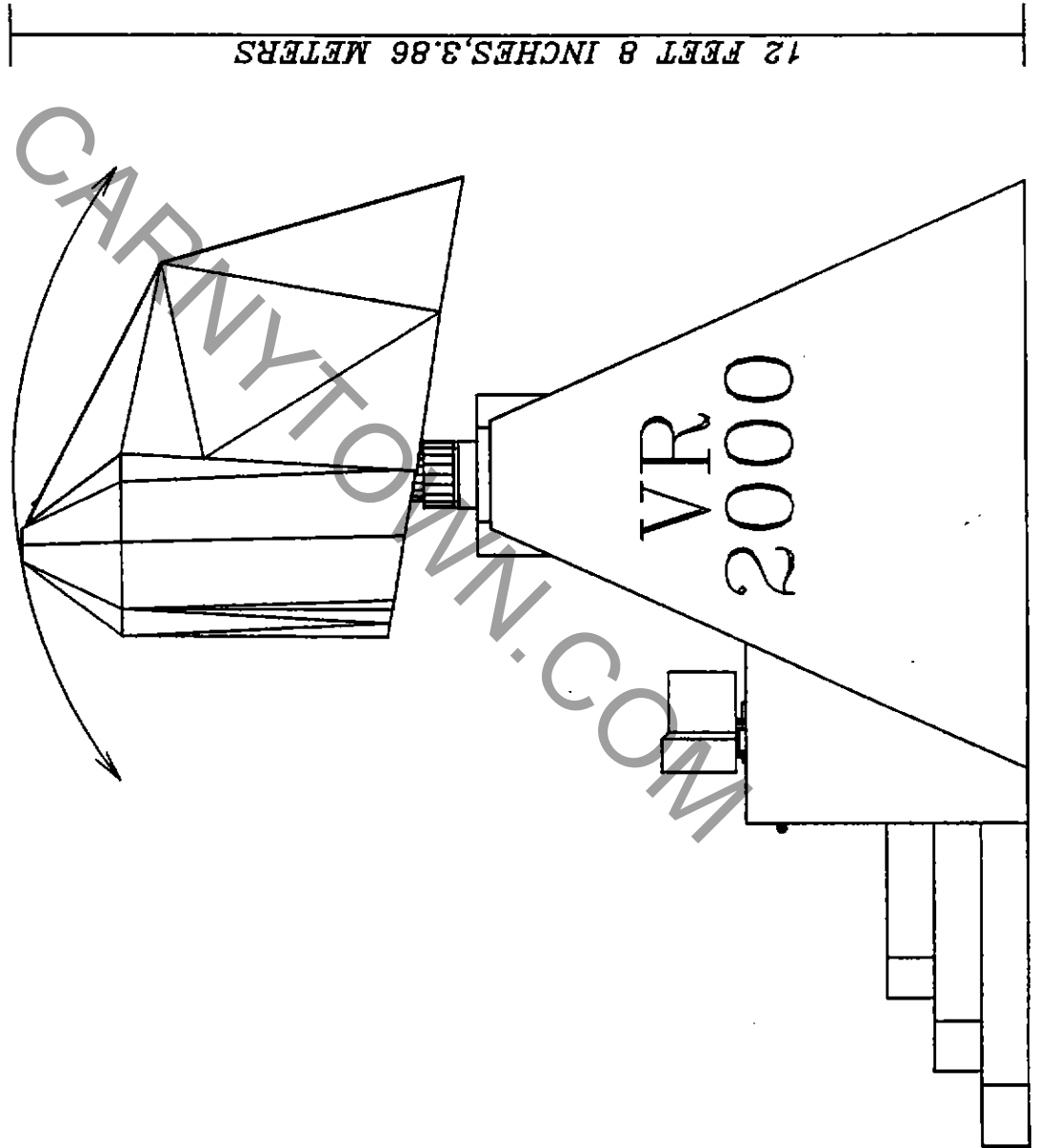
MAXFLIGHT-VR2000
FOOTSIDE.DWG



12 FEET 6 INCHES, 3.81 METERS

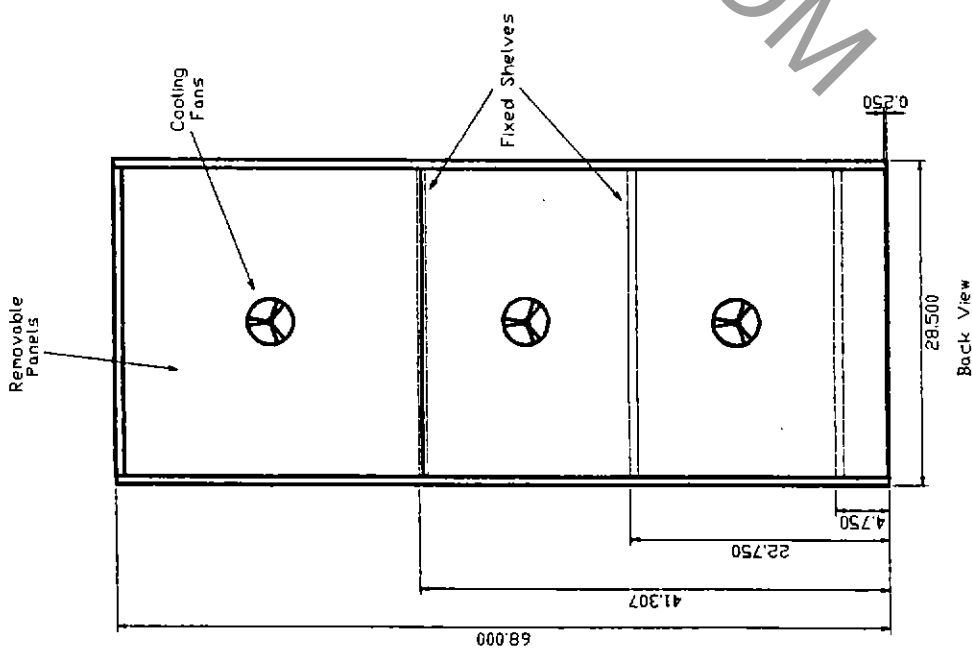
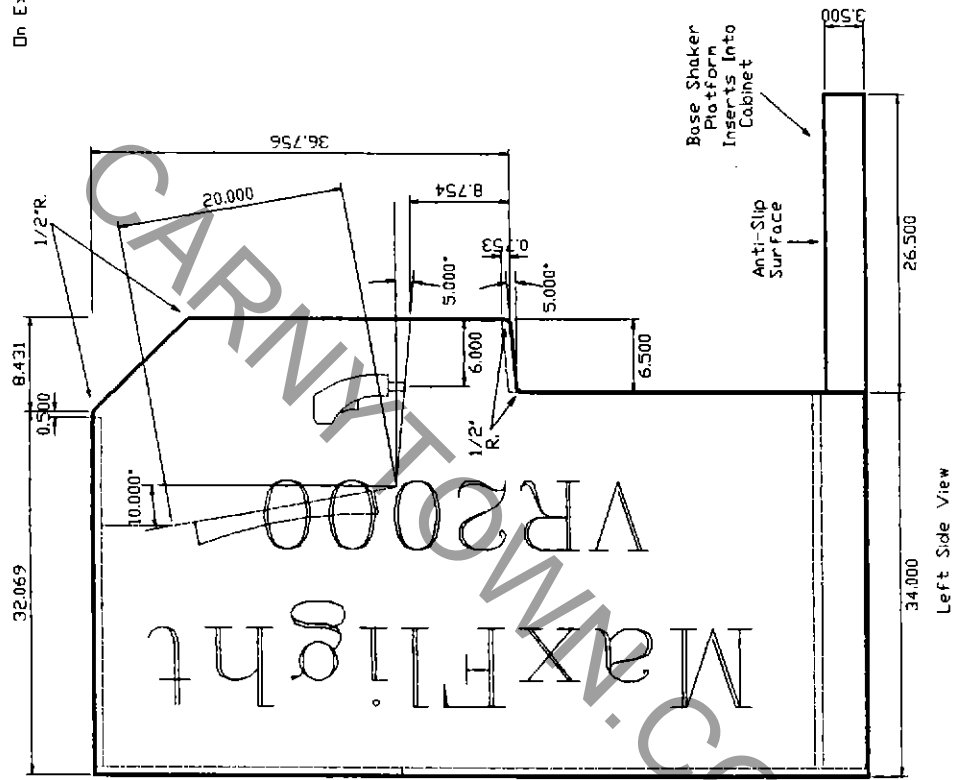
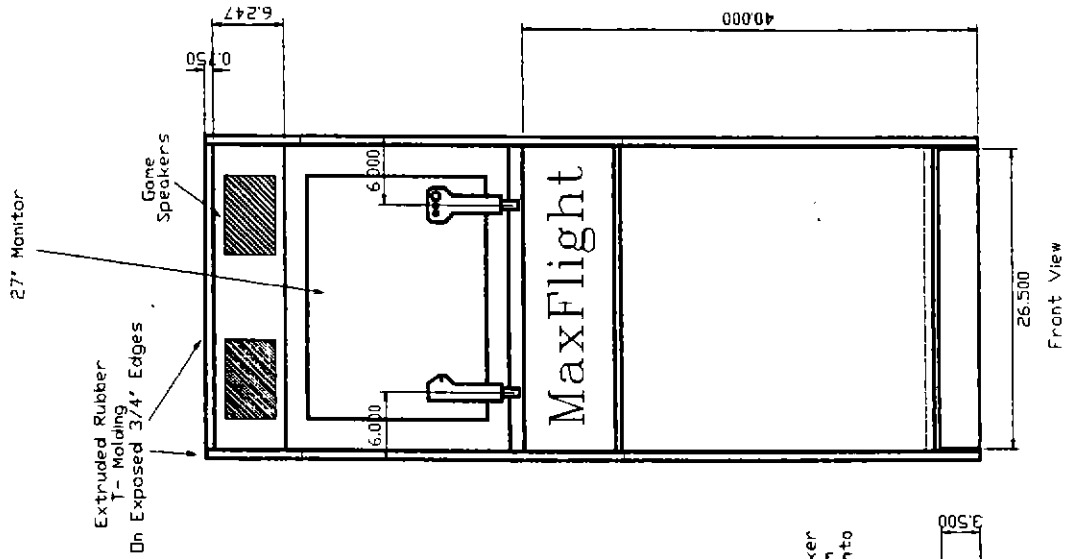
15 FEET, 4.57 METERS

MAXFLIGHT-VR2000
FOOTOP.DWG

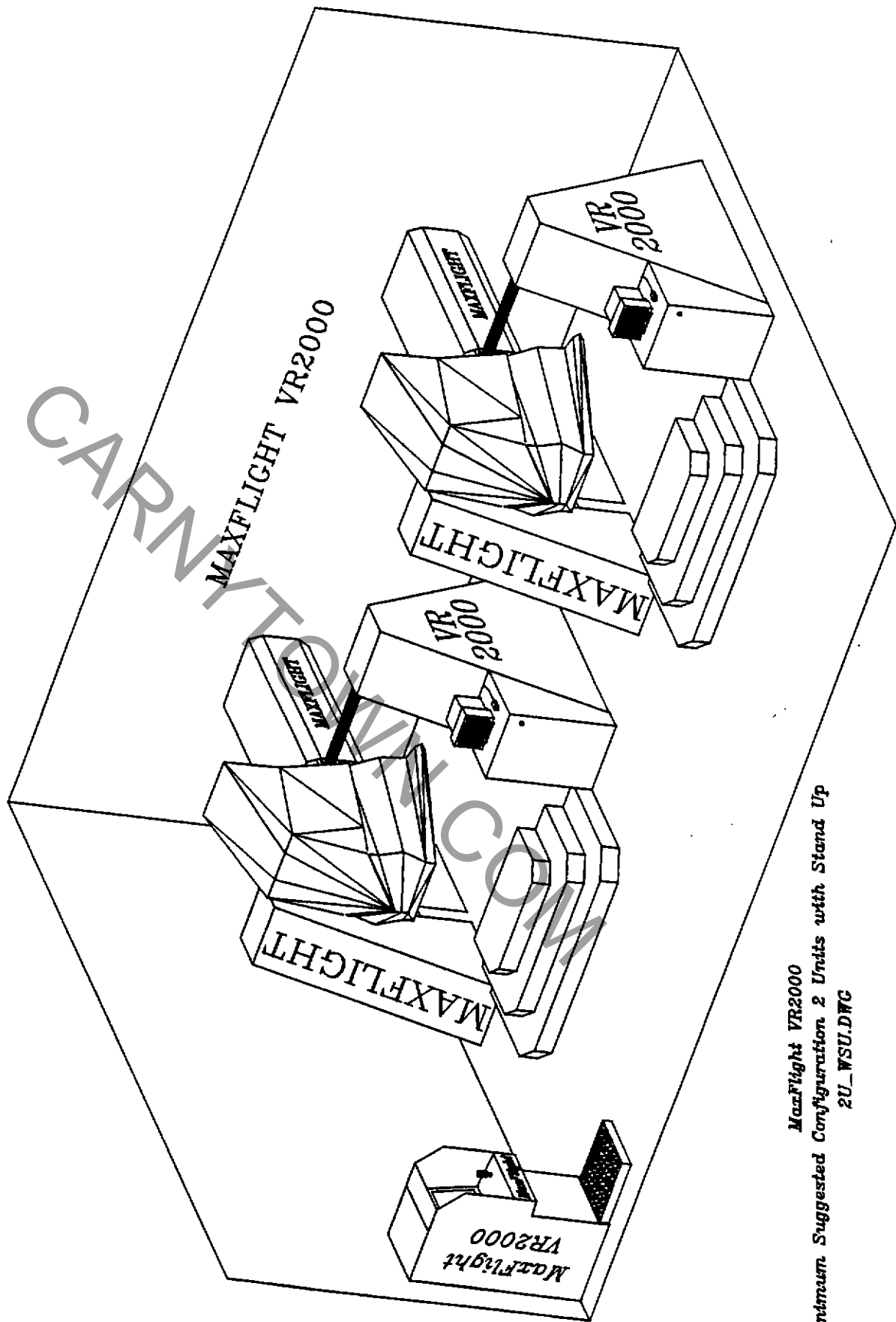


MAXFLIGHT-VR2000
FOOTARC.DWG

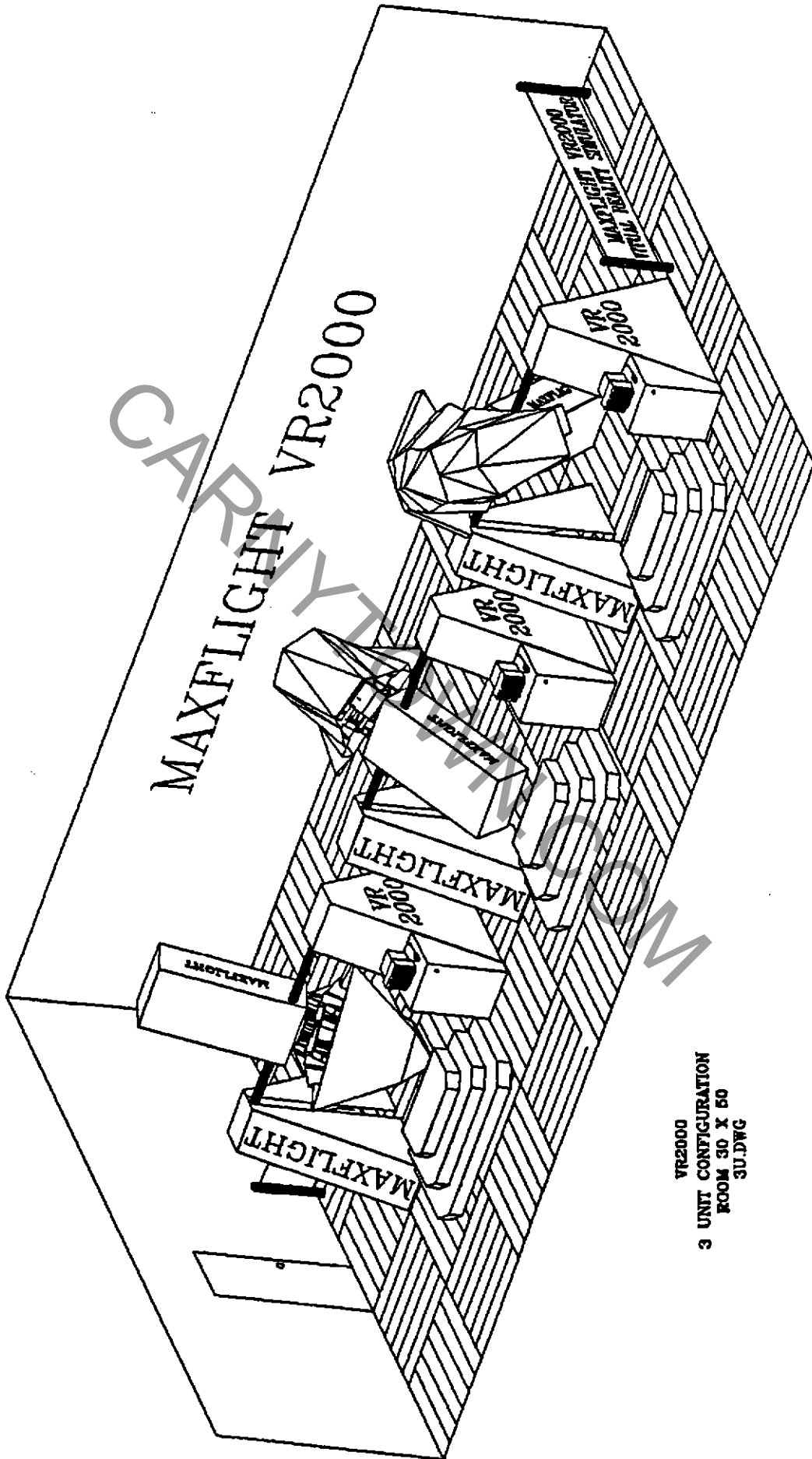
Black Melamine Interior Panels.
 Plastic Laminated Exterior Surfaces.



MaxFlight Stand-up Unit

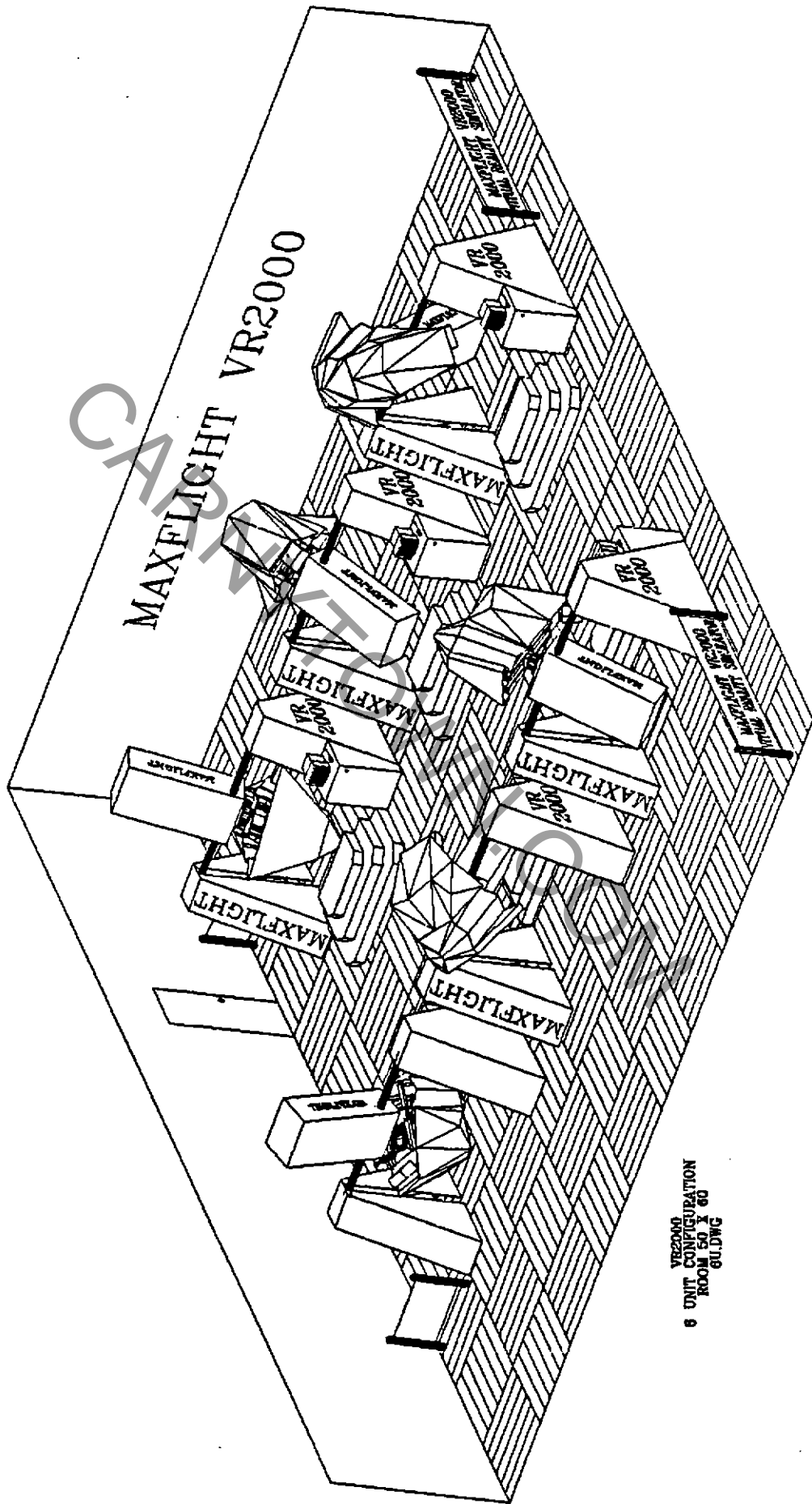


MaxFlight VR2000
Minimum Suggested Configuration 2 Units with Stand Up
2U_WSU.DWG



MAXFLIGHT VR2000

VR2000
3 UNIT CONFIGURATION
ROOM 30 X 50
3U.DWG



MAXFLIGHT VR2000

VR2000
6 UNIT CONFIGURATION
ROOM 50 X 60
80.DWG