

MFB: KILINSKI  
RIDE: HURRICANE  
NAME KIDDIE.

INSPECTION REPORT  
CHECK LIST

HURRICANE D.W.G. NO. H-501S DATE \_\_\_\_\_

RIDE SERIAL NO. \_\_\_\_\_ OWNER \_\_\_\_\_

1. Check the blocking on all outriggers and landing gear jacks.
2. Check leveling.
3. Check tower locking pins (3) and snap keys.
4. Check condition of long platform fence.
5. Check condition of short platform fence and fence post and snap keys.
6. Check aluminum step for cracks or missing steps.
7. Check condition of step hand rails and safety gates. (Note: not all rides are equipped with safety gates.)
8. Check ride rpm - 15 rpm maximum.
9. Inspect condition of car track, pins, and snap keys.
10. Inspect car locking pin and snap key.
11. Check locking nut and safety key on cable anchor pin.
12. Check cable locking nut upper and lower.
13. Check condition of support cable and safety cable.

## HURRICANE INSPECTION REPORT

PAGE TWO

14. Check cable anchor pin and safety key on rotating head.
15. Check condition on lift link pin and locking bar (3/8 x 3/4" bolts).
16. Inspect condition of lap bars front and rear, and lap bar locks.
17. Inspect outside condition of fiberglass cars for holes, cracks.
18. Inspect rotating hub ring gear for excessive wear and for missing bolts. (3/4 x 3-1/2 Grade 5)
19. Inspect rotating oil motor pinion gear for excessive wear.
20. Check stop and start switch.
21. Check condition of operating gauge and high pressure gauge on control stand.
22. Check zoom valve and free-wheel valve for condition.
23. Check condition of control cable.
24. Check all air gauges on air tank for correct setting.
25. Check all air regulators and pop-off valves for correct settings.
26. Inspect outside condition on all air tanks for dents and cracks.
27. Caution: jib crane and car rack must be in a down storage position when ride is in operation.
28. Check all oil cylinders for hydraulic oil leaks.
29. Check all lights (replace burned out lights).

## HURRICANE INSPECTION REPORT

PAGE THREE

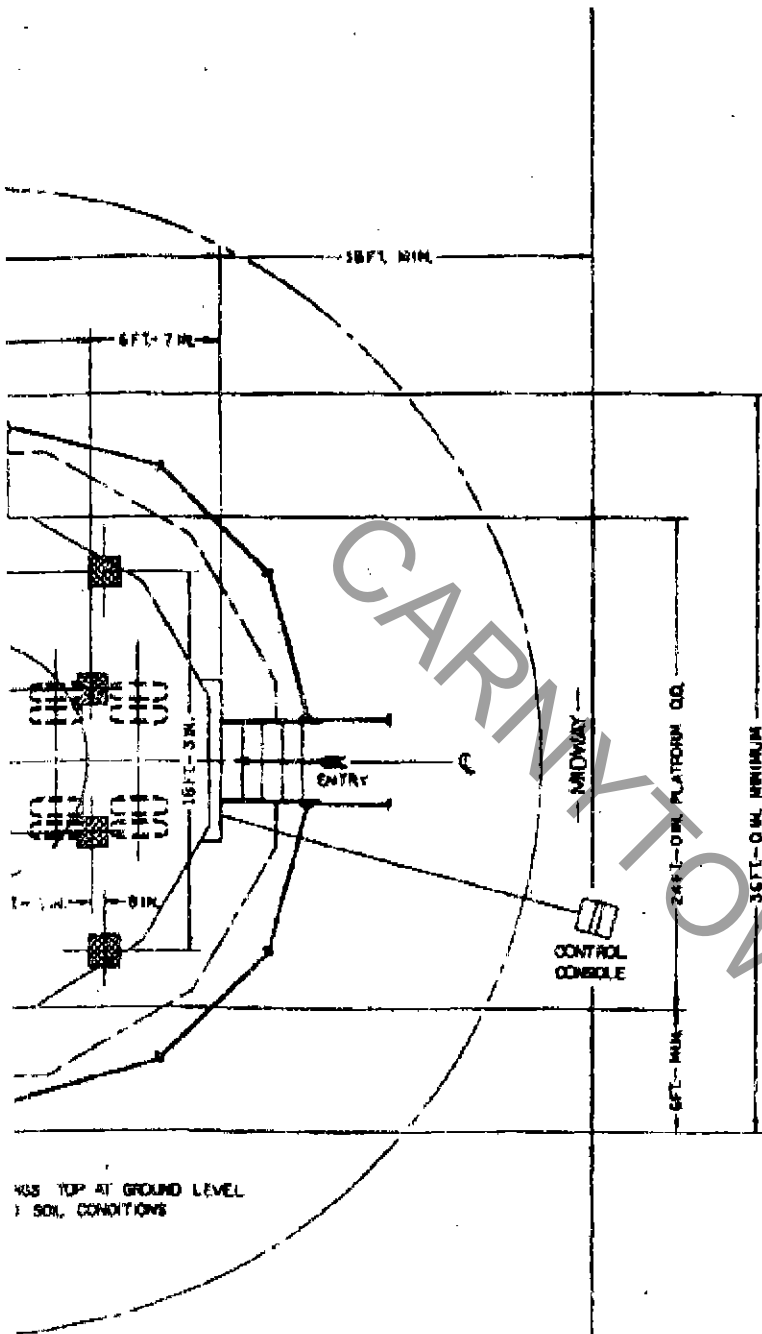
30. Check all electrical wire, switch box, and plugs.
31. Inspect ride for overall appearance and ride operator for overall appearance.
32. Check out ride operator in proper use and function of the ride.
33. This ride requires two operators for a safe operation.
34. Check all assembly pins for snap keys.

---

Inspector

REMARKS:

CARNY TOWN.COM



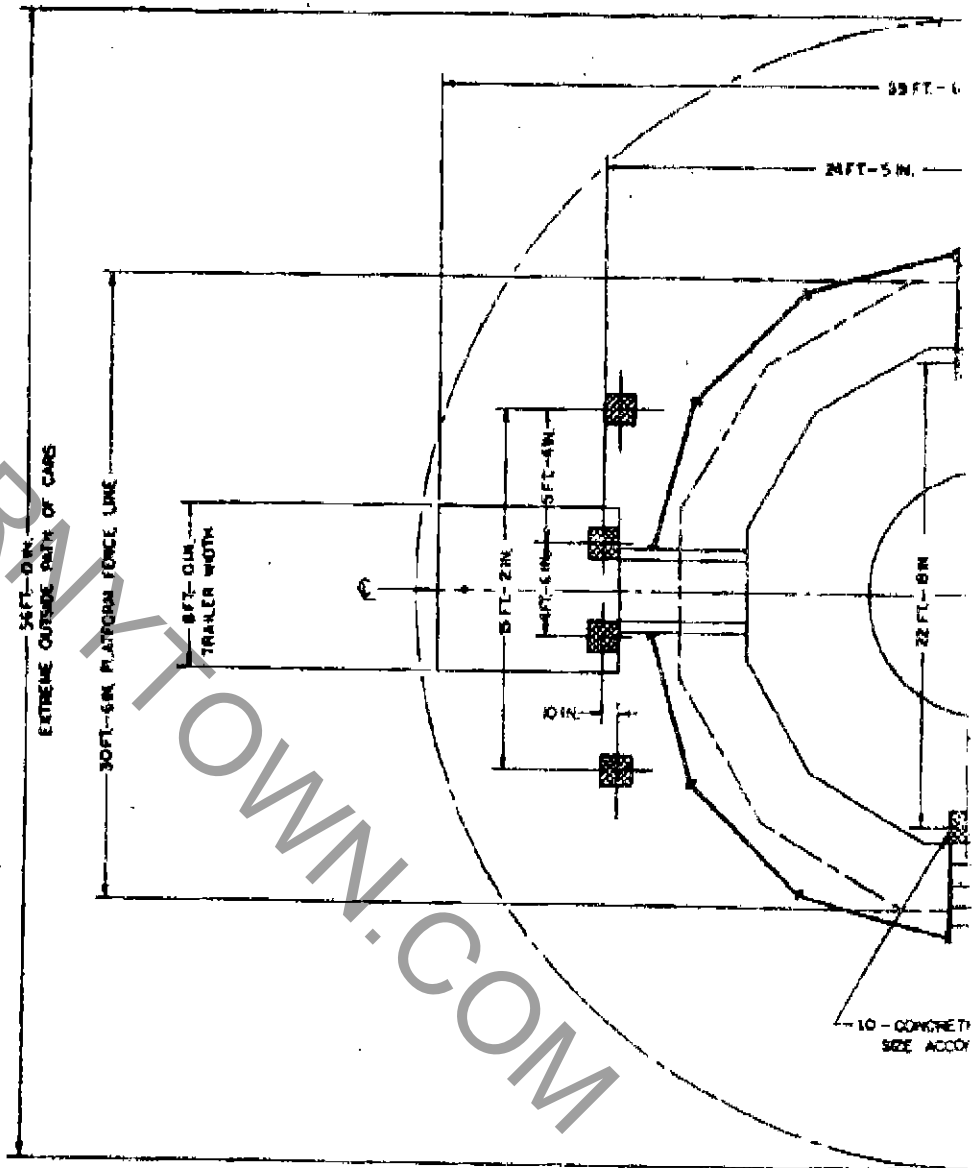
MS TOP AT GROUND LEVEL  
 ) SOIL CONDITIONS

SPACERS IS 34FT-0 IN  
 OVERHEAD CLEARANCE

M MAXIMUM  
 ULTS

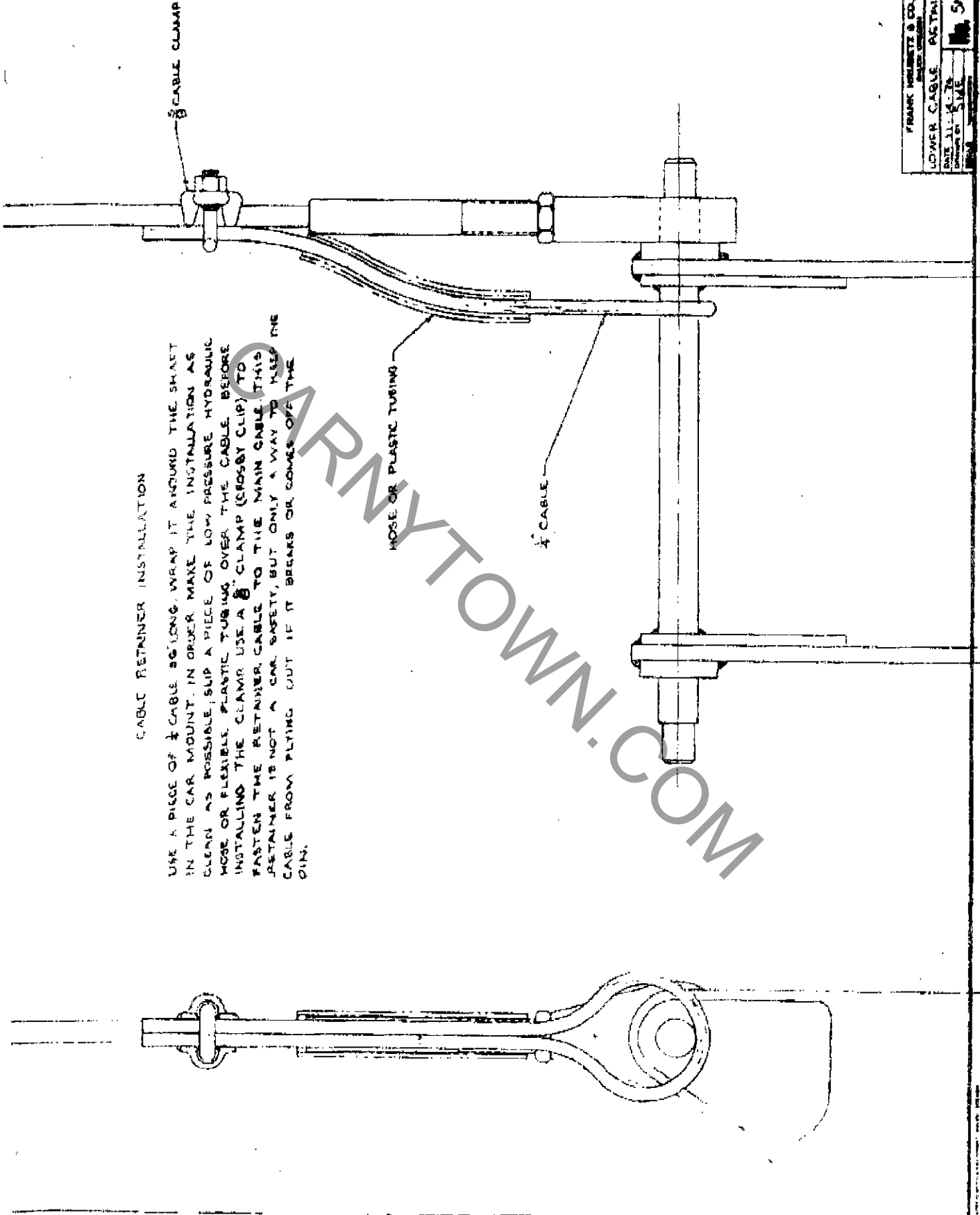
KILINSKI MFG. COMPANY		PO BOX 1570 HARRISBURG PA 17104
DESIGNED BY	DATE	SCALE
BY PEVE T.	7-31-78	1/4"
SPACE DIAGRAM - HURRICANE		
REV.	DATE	DESCRIPTION
A		H-5085

CARLYTOWN.COM



MAXIMUM HEIGHT OF SEATS  
 40 FT - 2 INSETER WHI!!  
 SPEED RPM - 1:  
 CAPACITY - 24

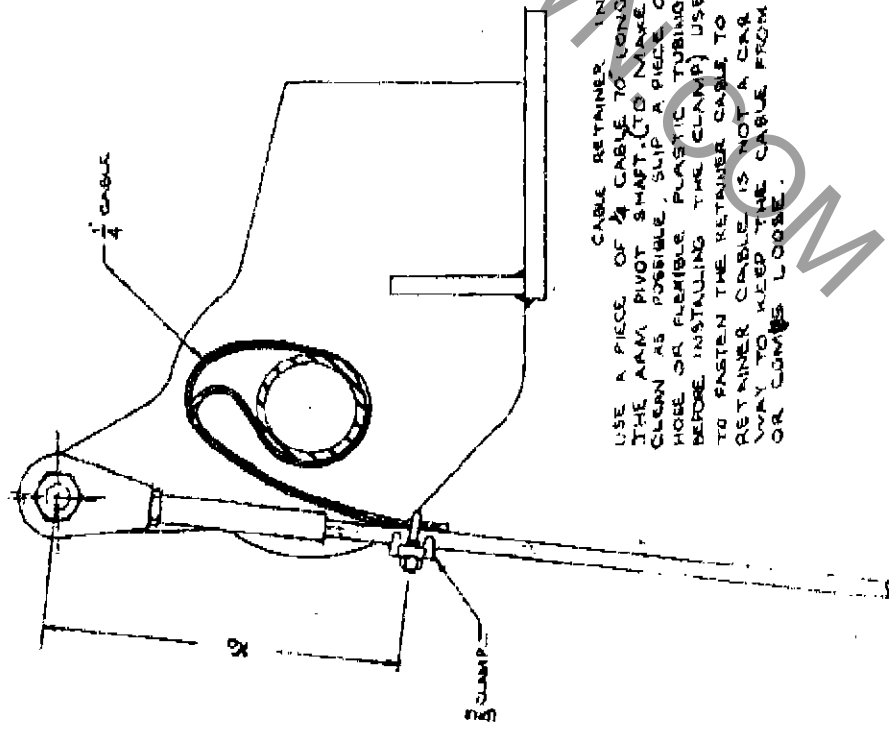
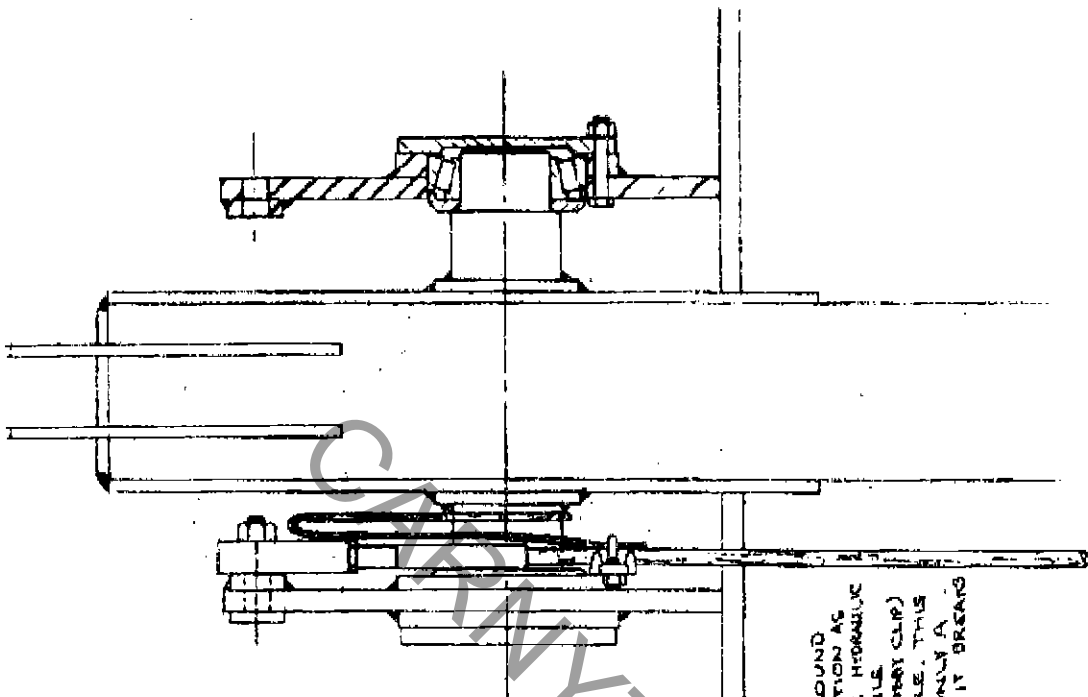
FRANK MURPHY & CO., INC.	
MADE IN U.S.A.	
LOWER CABLE	ACTUATOR
DATE 11-14-78	BY SK 11474
DESIGNED BY	SIZE



CABLE RETAINER INSTALLATION

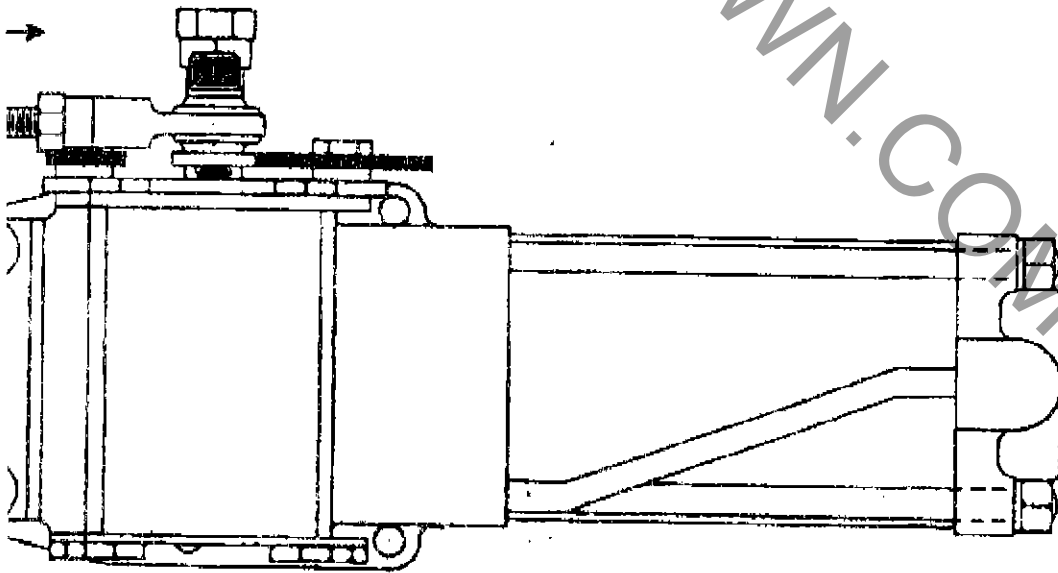
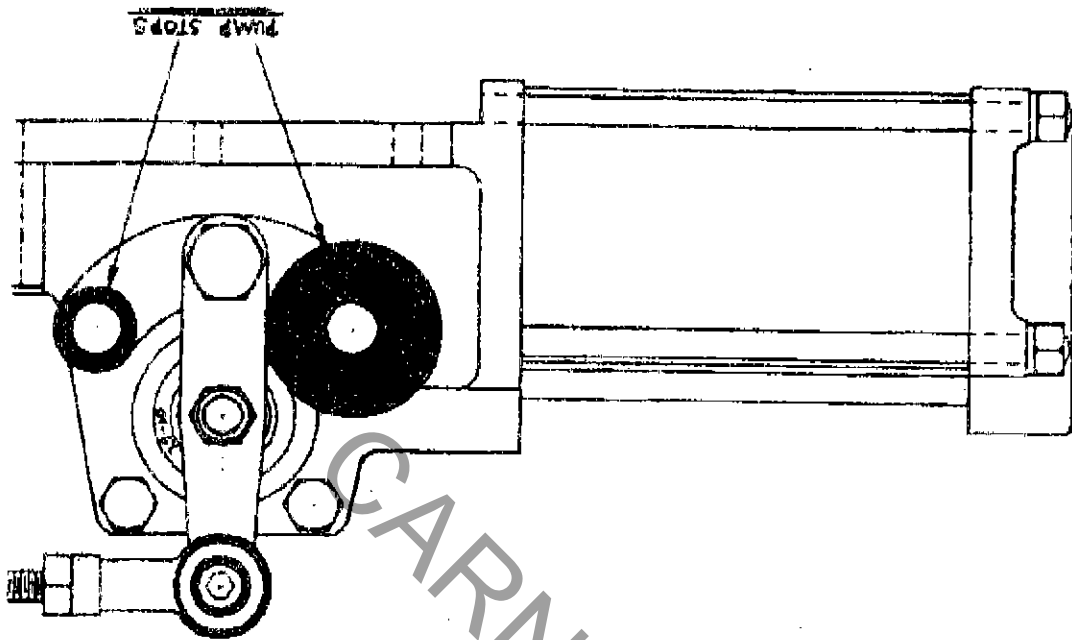
USE A PIECE OF  $\frac{1}{2}$  CABLE SO LONG, WRAP IT AROUND THE SHAFT IN THE CAR MOUNT. IN ORDER MAKE THE INSTALLATION AS CLEAN AS POSSIBLE, SLIP A PIECE OF LOW PRESSURE HYDRAULIC HOSE OR FLEXIBLE PLASTIC TUBING OVER THE CABLE BEFORE INSTALLING THE CLAMP. USE A  $\frac{1}{2}$  CLAMP (CROSSBY CLIP) TO FASTEN THE RETAINER CABLE TO THE MAIN CABLE. THIS RETAINER IS NOT A CAR SAFETY, BUT ONLY A WAY TO KEEP THE CABLE FROM FLYING OUT IF IT BREAKS OR COMES OFF THE GUN.

ARMYKITTOWN.COM



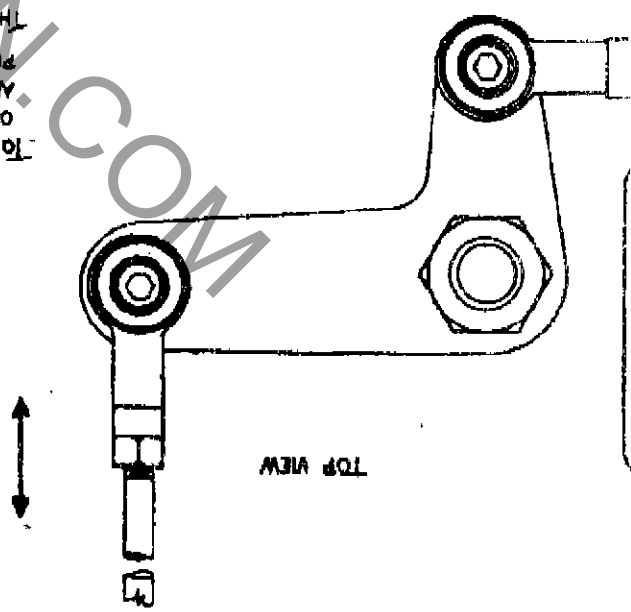
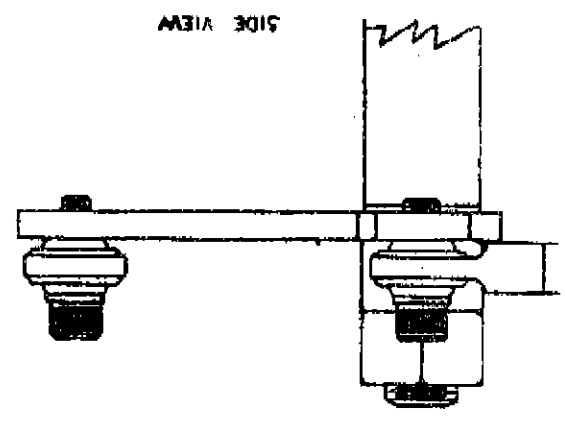
CABLE RETAINER INSTALLATION  
 USE A PIECE OF 1/4" CABLE TO LONG. WRAP IT AROUND THE ARM PIVOT SHAFT. TO MAKE THE INSTALLATION AS CLEAN AS POSSIBLE, SLIP A PIECE OF LOW PRESSURE HYDRAULIC HOSE OR FLEXIBLE PLASTIC TUBING OVER THE CABLE BEFORE INSTALLING THE CLAMP. USE A 3/8" CLAMP (CROSBY CLIP) TO FASTEN THE RETAINER CABLE TO THE MAIN CABLE. THIS RETAINER CABLE IS NOT A CAR SAFETY BUT ONLY A WAY TO KEEP THE CABLE FROM FLYING OUT IF IT BREAKS OR COMES LOOSE.

FRANK WILMITS & CO., INC.  
 UPPER MERIDEN, CT 06454  
 PHONE 860-234-8888  
 FAX 860-234-8889  
 SK 11474

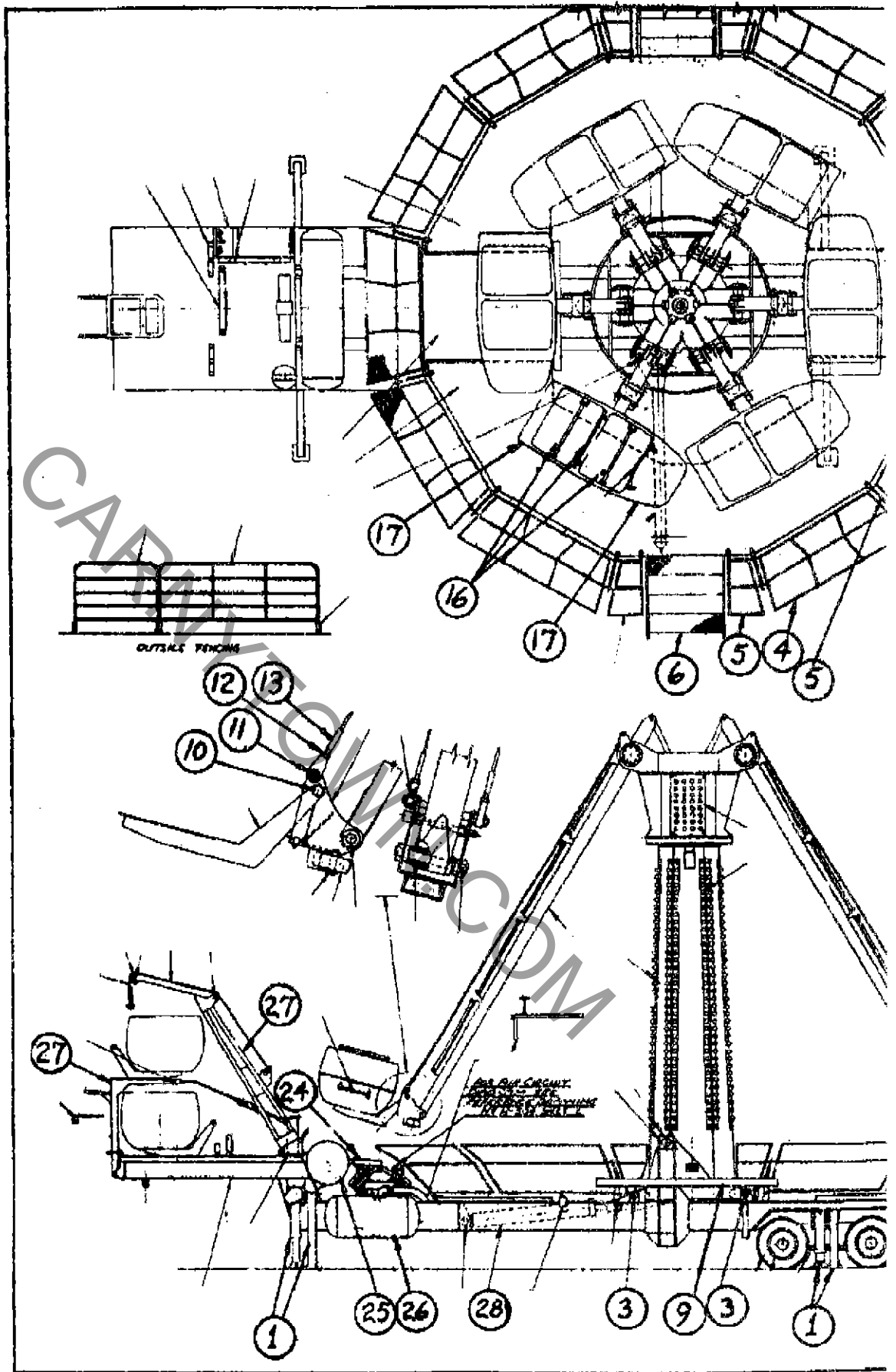


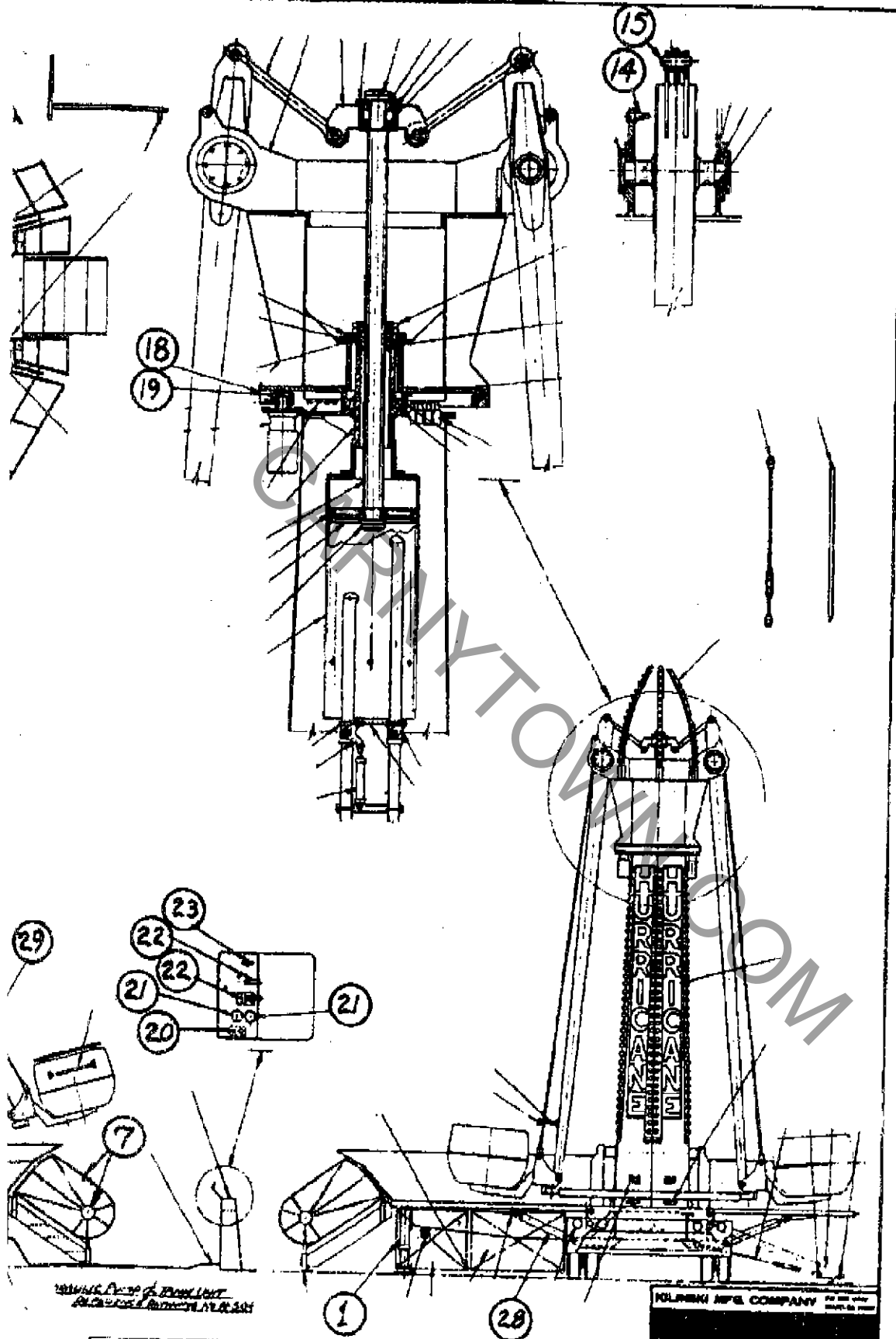
FRANK HUBERTZ & CO. 3400 EMMETT AVE. S.E. BAYLON ORE. 97008		REVISED BY: <b>RTT</b>		DATE: <b>1-17-78</b>		QUANTITY: <b>10</b>		MATERIAL SPEC:	
SERVO CONTROL - PUMP		PART NUMBER: <b>10-1</b>		DRAWING NO. <b>10-1</b>		REV. <b>1</b>		DATE <b>1-17-78</b>	

TO SET THE SPEED (RPM) ON THE RIM DRIVE PARATROOPER AND HURRICANE, WE INSTALLED PUMP STOP ON THE SERVO CONTROL. THIS SERVO CONTROL IS MOUNTED ON TOP OF THE HYDROCO PUMP WHICH IS USED ON THESE TWO RIDES.  
 NOTE: THE CORRECT SPEED (RPM) FOR - HURRICANE IS 15 RPM # RIM DRIVE PARATROOPER - 12X RPM



MATERIAL SPEC:		REV:		DATE:	
----------------	--	------	--	-------	--





REVISIONS TO DRAWING  
 AS SHOWN ON DRAWING NO. 5015

HOLMENSKA KÄRRE COMPANY

REV	DATE	DESCRIPTION	EDITED & REVISED

NO. H-5015

Subject: Safety Alert For Hurricane by Dartron  
Date: Wed, 28 Apr 1999 16:05:59 -0400  
From: Michael Rinehart <rineham@doacs.state.fl.us>  
To: Ron Brooks <brooks@doacs.state.fl.us>, Richard McDonald  
<mcdonam@doacs.state.fl.us>,  
Jerry Callahan <callahj@doacs.state.fl.us>, Cliff Groscurth <groscuc@doacs.state.fl.us>,  
Brad Mosher <mosherb@doacs.state.fl.us>, Larry Cook <cookl@doacs.state.fl.us>,  
Allan Harrison <harrisa@doacs.state.fl.us>, Timothy Simpson <simpsot@doacs.state.fl.us>,  
Carlos Corvo <corvoc@doacs.state.fl.us>, Moe Hayes <hayesm@doacs.state.fl.us>,  
Gary Fisher <fisherg@doacs.state.fl.us>, Hunter Lyles <lylesh@doacs.state.fl.us>,  
Jerry Winters <winterj@doacs.state.fl.us>, Charlie Stegall <stegalc@doacs.state.fl.us>,  
Mike Rinehart <mrinehart@compuserve.com>,

BFI Bullitin # 99-09, Dartron Safety Alert re: All Hurricanes.

This is the first bulletin we've sent by email. If the attachment is too blurred, or unreadable, please let me know I'll try and get you a better copy. It is a second generation fax received from Bob Gill's office and it has deteriorated.

CAMPBELLTOWN.COM

Dartron Industries, Inc. is not the manufacturer of Hurricane rides built from 1972 until 1991. This bulletin is being issued in the interest of correcting a potential problem on rides whose manufacturer is no longer in business. This bulletin in the interest of safety should in no way be construed as Dartron Industries, Inc. assuming the role of manufacturer of Hurricanes manufactured before 1992.	P.O. Box 13114 Salem, Oregon 97309 Phone: 503-362-2341 Fax: 503-362-2536	Bulletin #	SR - 5H - 903
		Release Date	March 26, 1999
		Effective Date	March 26, 1999
		Supersedes	
		Completion Date	June 30, 1999
		Page	1 of 2

# SAFETY ALERT

Ride Manufacturer	Frank Hrubetz & Co., Inc. Kilinski Mfg. Company Man-Co Mfg., Inc.	Affected Production Dates	1973 until 1991
Ride Name	Hurricane	Affected Serial #'s	All
Model Number	All		

**Reason For Release:** It has been determined that the changes explained below are necessary for the assured safe operation of the Hurricane ride. These changes must be retro fitted on all previously manufactured Hurricanes.

**Inspection:** Before implementing the changes explained below remove the cars from the sweeps. Locate the grease Zerk on the end of the Sweep. Add lubrication to this zerk until the cavity is full. Inspect the bolt or roll pin shown as item 20 on Page 2. If a bolt is found be sure the bolt is a grade 8. Inspect to be sure that it is not damaged and capable of maintaining the pin in its bore and prohibiting the pin from rotating. Replace with a 3/8 NC x 4" grade 8 bolt and grade 8 nyloc nut if any damage is found. Car buckets must also rotate freely in relation to the sweep, indicating that the bushings in the sweep end are not binding on the shaft. Keeper bolt orientation must be as shown on Page 2 in order to clear pin retainer.

### Detail of Issue

#### Pin Retainer

Page 2 shows the pin retainers that must be bolted to both sides of the car buckets that are attached to the end of the sweeps on all Hurricanes. With the pin retainers in place the shaft will be retained in position in the sweep even without the proper functioning of the pin locating bolt. Using an electric drill, drill one hole in both sides of the sweep bucket. The location of these holes is shown in Page 2 at 2 7/8". Bolt the pin retainer on with one bolt so that the tab of the retainer covers the end of the bucket pin. Now use the retainer as a jig to drill through for the lineup of the second 3/8 hole. Bolt the retainer in place using grade 8 bolts, grade 8 nyloc nuts and flat washers as called out in the material list on page 2. Insert the bolt from the inside to the outside of the bucket. Place the nyloc nut on the outside face of the bucket so it can be easily inspected. Torque to 40 ft. lbs. The flat washers are located under the bolt head and under the Nyloc nut.

#### Material Required

Contact Steve Jones at Dartron concerning the purchase of the 12 pin retainers. The Hurricane owners must supply the exact hardware shown on Page 2.

#### Inspection Required

Daily inspection of the buckets are required. The inspection must insure that (1) The sweep end pin is lubricated (2) the pin locating bolt is in place and functioning properly (3) both pin retainers are securely bolted to the sides of the bucket.